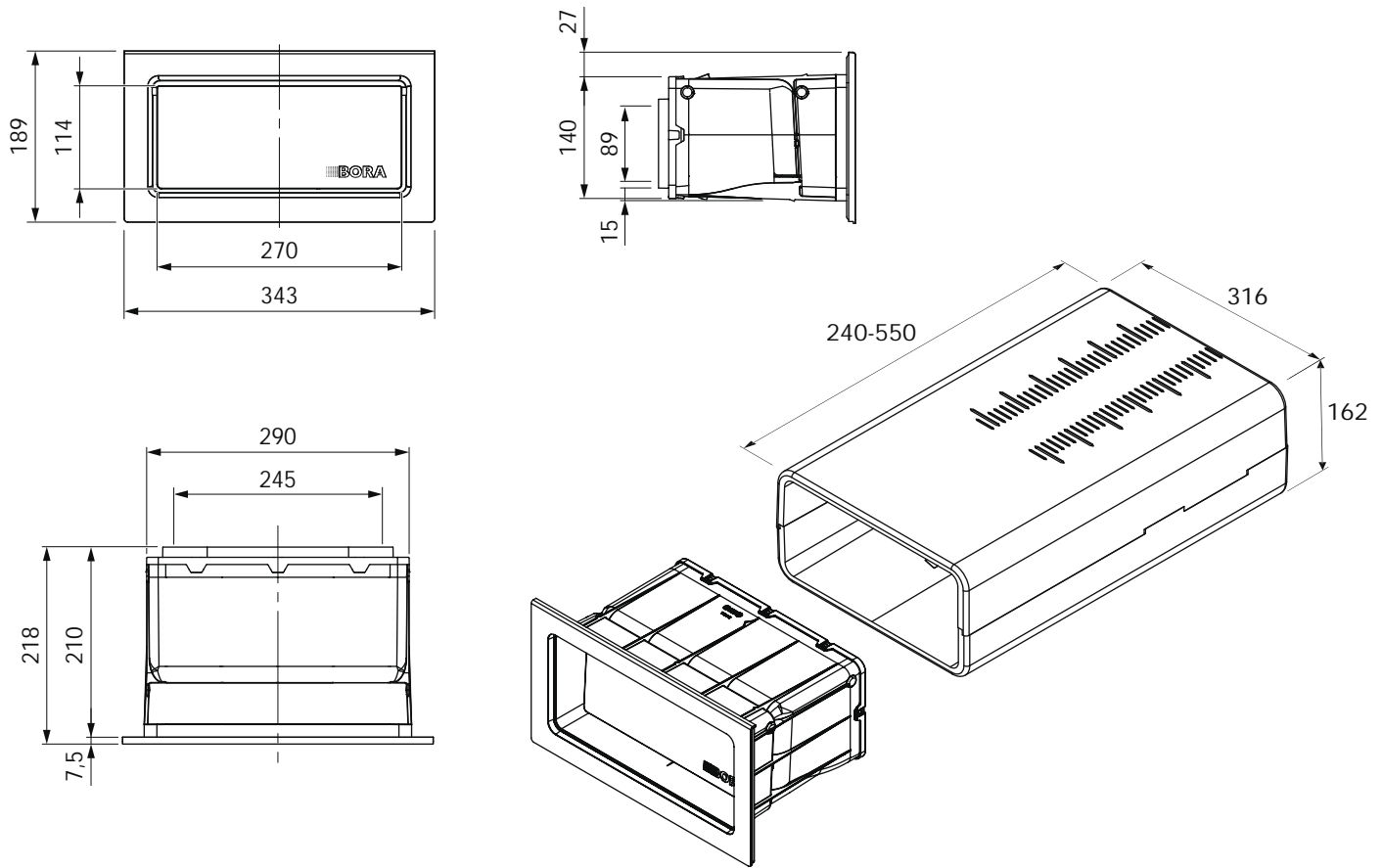


UEBF

BORA 3box



Technical data

Wall sleeve dimensions (WxDxH)	290 x 210 x 140 mm
Insulation dimensions (WxDxH)	316 x 240-550 x 162 mm
Cover dimensions (WxDxH)	343 x 7.5 x 189 mm
Shallow duct connection	245 x 89 mm
Weight (incl. accessories/packaging)	Approx. 2.8 kg
Material	Plastic

Product description

- UV-resistant material
- Resistant to driving rain based on EN 1027
- U value of 1.1 W/(m²K) based on EN ISO 12567-2
- Optimised low opening pressure
- Low pressure resistance

Scope of delivery

- UEBF BORA 3box
- Insulation for wall sleeve (top/bottom section)
- 2 x support for insulation
- Operating and installation instructions

Planning instructions

- Wall gap with insulation: 330 x 175 mm, Wall gap without insulation: 310 x 155 mm
- Ecotube duct connection with a shallow sleeve form