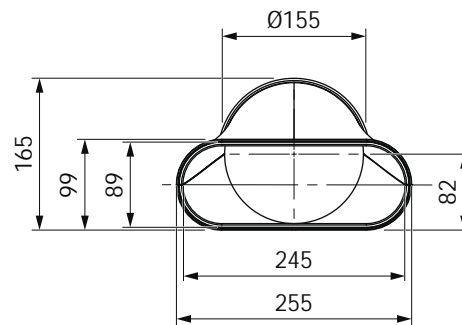
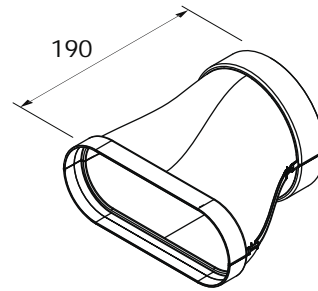
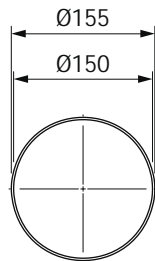
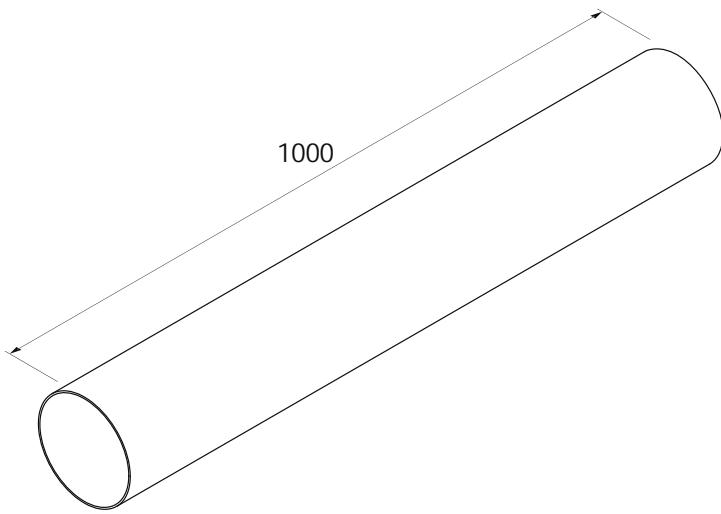


ER1000

BORA Ecotube round duct 1000 mm

EFRG

BORA Ecotube shallow, round, straight transition



Technical data

Dimensions (WxDxH)	155 x 1000 mm
Material properties	V0 acc. to UL94, B1 acc. to DIN 4102-1
Number of seals required	-
Weight	1.6 kg

Technical data

Dimensions (WxDxH)	255 x 190 x 165 mm
Material properties	V0 acc. to UL94
Number of seals required	1 x EFD, 1 x ERD
Weight	0.3 kg

Accessories

- EFMS/ERMS mounting bracket set

Planning instructions

- Moulded part with a shallow sleeve form
- Moulded part with a round sleeve form