

THE
COMPLETE
RANGE



furnipart

furnipart



COLLECTION CONTENTS

11 OUR HANDLES

95 OUR WOOD COLLECTION

103 OUR DESIGNERS

- 104 ADAM LAWS
- 106 HANS SANDGREN JAKOBSEN
- 108 MENEGHELLO PAOLELLI
- 112 MEIKE NEUHAUS
- 114 VE2
- 118 RIKKE FROST
- 120 STEFFENSEN & WÜRTZ
- 122 KAMPER FORM

125 PROFILE REAR MOUNTED

141 OUR SUSTAINABLE JOURNEY

- 142 OCEANIX
- 150 FSC™
- 154 CRADLE TO CRADLE

161 OUR KNOBS

211 OUR RECESSED HANDLES

221 PROFILE REAR MOUNTED EDGE TO EDGE

229 PROFILE TOP MOUNTED EDGE TO EDGE

245 OUR LONG HANDLES

255 OUR CAST IRON HANDLES

261 COST EFFECTIVE HANDLE DESIGN

269 DID YOU KNOW?

270 INDEX

THE COMPLETE RANGE

Deciding on what handle is right for you can be a very daunting task, as we introduce two collections every year with designs ranging from the classic through to innovative and modern.

The complete range/ by furnipart gives you an overview of all our handle designs. Whether you are looking for a handle, profile or knob you can view all our product dimensions, materials and finishes to help you make the right choice.



our handles

We are dedicated to creating beautiful handles which set the standard for years to come.



Cubico (page 26), **Slim** (page 77), **Junction** (page 48), **Hexa** (page 45), **Scope** (page 72)
Mango (page 55), **Lounge** (page 52), **Luck** (page 52), **Gate** (page 42), **Compact** (page 25)

ANGLE

Design furnipart
Material Stainless Steel

Finish	Reference	C/C	L	W	H	Ø
● Silk Polished	220133096-25	96	109	-	30	13
● Silk Polished	220133128-25	128	141	-	30	13
● Silk Polished	220133160-25	160	173	-	30	13
● Silk Polished	220133192-25	192	205	-	30	13
● Silk Polished	220133224-25	224	237	-	30	13
● Silk Polished	220133288-25	288	301	-	30	13
● Silk Polished	220133096-2535	96	109	-	35	13
● Silk Polished	220133128-2535	128	141	-	35	13
● Silk Polished	220133160-2535	160	173	-	35	13
● Silk Polished	220133192-2535	192	205	-	35	13
● Silk Polished	220133288-2535	288	301	-	35	13
● Silk Polished	220133320-2535	320	333	-	35	13
● Silk Polished	220133352-2535	352	365	-	35	13
● Silk Polished	220133384-2535	384	397	-	35	13
● Silk Polished	220133388-2535	388	401	-	35	13
● Silk Polished	220133438-2535	438	451	-	35	13
● Silk Polished	220133448-2535	448	461	-	35	13
● Silk Polished	220133480-2535	480	493	-	35	13
● Silk Polished	220133488-2535	488	501	-	35	13
● Silk Polished	220133832-2535	832	845	-	35	13
● Silk Polished	220133988-2535	988	1001	-	35	13

**ART**

Design Kamper Form
Material Cast Iron

Finish	Reference	C/C	L	W	H	Ø
● Black	300020096-9005	96	117	28	30	-

**BASE**

Design Steve McGugan
Material Zamac

Finish	Reference	C/C	L	W	H	Ø
● Antique Grey	542960160-22	160	172	12	32	-
● Antique Brown	542960160-23	160	172	12	32	-
● Inox Look	542960160-66	160	172	12	32	-
● Antique Grey	542960320-22	320	332	12	32	-
● Antique Brown	542960320-23	320	332	12	32	-
● Inox Look	542960320-66	320	332	12	32	-



BIG

Design furnipart
Material Stainless Steel/Zamac

Finish	Reference	C/C	L	W	H	Ø
● Inox Look	224330160-66	160	172	-	45	22
● Inox Look	224330192-66	192	204	-	45	22
● Black	224330192-9005	192	204	-	45	22
● Inox Look	224330256-66	256	268	-	45	22
● Black	224330256-9005	256	268	-	45	22
● Inox Look	224330320-66	320	332	-	45	22
● Black	224330320-9005	320	332	-	45	22
● Inox Look	224330448-66	448	460	-	45	22
● Black	224330448-9005	448	460	-	45	22
● Inox Look	224430640-66	640	653	26	45	-
● Black	224430640-9005	640	653	26	45	-
● Inox Look	2244301280-66	1280	1293	26	45	-
● Black	2244301280-9005	1280	1293	26	45	-



Extention parts

● Tube	2243351200-25	1200	-	-	-	22
● Tube	2411301200-9005	1200	-	-	-	22
● Plastic Insert	110060	-	62	-	-	20
● Connector	518365012-66	-	12	25	45	-
● Connector	518365012-9005	-	12	25	45	-
● Foot	518360012-66	-	12	25	45	-
● Foot	518360012-9005	-	12	25	45	-



BIS

Design Meneghello Paoletti
Material Wood FSC 100% / Zamac



Finish	Reference	C/C	L	W	H	Ø
● Oak Lacq./ Matt White	554320160-052/0500	160	188	12	32	-
● Oak Lacq./ Bright Chrome	554320160-052/08	160	188	12	32	-
● Oak Lacq./ Matt Black	554320160-052/99	160	188	12	32	-
● Black Oak/ Matt Black	554320160-992/99	160	188	12	32	-



*matching knob BIS - page 164



BOUNCE

Design Steffensen & Würtz
Material Zamac

Finish	Reference	C/C	L	W	H	Ø
● Inox Look	546660160-66	160	176	16	33	-
● Matt Black	546660160-99	160	176	16	33	-

*matching knob BOUNCE - page 164

**BRIDGE**

Design Nissen & Gehl
Material Zamac

Finish	Reference	C/C	L	W	H	Ø
● Inox Look	501260096-66	96	115	15	23	-
● Inox Look	501260128-66	128	145	15	26	-
● Inox Look	501260160-66	160	180	15	26	-
● Inox Look	501260224-66	224	242	15	31	-

**BULL**

Design furnipart
Material Zamac

Finish	Reference	C/C	L	W	H	Ø
● Antique Brown	528260128-23	128	139	15	33	-
● Antique Brown	528260160-23	160	170	15	33	-
● Antique Brown	528260192-23	192	203	18	38	-

**CAR**

Design furnipart
Material Zamac

Finish	Reference	C/C	L	W	H	Ø
● Bright Chrome	530860160-08	160	181	17	27	-
● Inox Look	530860160-66	160	181	17	27	-





CARVE

Design Kamper Form
Material Zamac

Finish	Reference	C/C	L	W	H	Ø
● Matt White	552520160-0500	160	174	13	31	-
● Brushed Antracite	552520160-91	160	174	13	31	-
● Matt Black	552520160-99	160	174	13	31	-
● Matt White	552520320-0500	320	333	13	31	-
● Brushed Anthracite	552520320-91	320	333	13	31	-
● Matt Black	552520320-99	320	333	13	31	-



CHATEAU

Design Kamper Form
Material Zamac

Finish	Reference	C/C	L	W	H	Ø
● Antique Brown	555320128-23	128	180	18	30	-
● Dark Brushed Gold	555320128-35	128	180	18	30	-
● Inox Look	555320128-66	128	180	18	30	-



*matching knob CHATEAU - page 167 + 168

CLASSIC

Design Kamper Form
Material Zamac

Finish	Reference	C/C	L	W	H	Ø
● Antique Grey	536460160-22	160	186	9/18	38	-
● Antique Brown	536460160-23	160	186	9/18	38	-
● Inox Look	536460160-66	160	186	9/18	38	-
● Antique Copper	536460160-98	160	186	9/18	38	-



*matching knob CLASSIC - page 168

COMMON

Design Kamper Form
Material Zamac

Finish	Reference	C/C	L	W	H	Ø
● Bright Chrome	535960160-08	160	170	19/16	30	-
● Inox Look	535960160-66	160	170	19/16	30	-
● Antique Copper	535960160-98	160	170	19/16	30	-



Leaf - page 51



COMPACT

Design VE2
Material Zamac

Finish	Reference	C/C	L	W	H	Ø
● Inox Look	542860160-66	160	172	8	36	-
● Brushed Anthracite	542860160-91	160	172	8	36	-
● Matt Black	542860160-99	160	172	8	36	-
● Inox Look	542860320-66	320	332	8	36	-
● Brushed Anthracite	542860320-91	320	332	8	36	-
● Matt Black	542860320-99	320	332	8	36	-



CONCAVE

Design Hans Sandgren Jakobsen
Material Zamac

Finish	Reference	C/C	L	W	H	Ø
● Antique Grey	544260160-22	160	173	13	35	-
● Antique Brown	544260160-23	160	173	13	35	-
● Inox Look	544260160-66	160	173	13	35	-
● Matt Black	544260160-99	160	173	13	35	-



COOL

Design Kamper Form
Material Zamac

Finish	Reference	C/C	L	W	H	Ø
● Inox Look	528960192-66	192	200	16	31	-
● Inox Look	528960320-66	320	328	16	31	-



CROSSING

Design kaschkasch
Material Wood FSC 100% / Zamac



Finish	Reference	C/C	L	W	H	Ø
● Oak Lacq./ Matt Black	102990160-052/99	160	168	11	39	-
● Black Oak/ Matt Black	102990160-992/99	160	168	11	39	-
● Oak Lacq./ Matt Black	102990320-052/99	320	328	11	39	-
● Black Oak/ Matt Black	102990320-992/99	320	328	11	39	-



*matching knob CROSSING - page 173

CUBICO

Design Designit
Material Zamac

Finish	Reference	C/C	L	W	H	Ø
● Inox Look	518660096-66	96	105	15	33	-
● Black	518660096-9005	96	105	15	33	-
● Bright Chrome	518660192-08	192	201	15	33	-
● Antique Grey	518660192-22	192	201	15	33	-
● Inox Look	518660192-66	192	201	15	33	-
● Black	518660192-9005	192	201	15	33	-



CUT

Design furnipart
Material Aluminium

Finish	Reference	C/C	L	W	H	Ø
● Inox Look	408220160-66	160	175	25	20	-



DELTA

Design Meneghello Paoelli
Material Zamac

Finish	Reference	C/C	L	W	H	Ø
● Inox Look	554820160-66	160	204	24	36	-
● Matt Black	554820160-99	160	204	24	36	-



*matching knob DELTA - page 173



Carve - page 22

D HANDLE

Design furnipart
Material Stainless Steel

Finish	Reference	C/C	L	W	H	Ø
● Silk Polished	200132064-25	64	74	-	35	10
● Silk Polished	200132096-25	96	106	-	35	10
● Silk Polished	200132128-25	128	138	-	35	10
● Silk Polished	200132160-25	160	170	-	35	10
● Silk Polished	200132192-25	192	206	-	35	10
● Silk Polished	200132224-25	224	234	-	35	10
● Silk Polished	200132288-25	288	298	-	35	10
● Silk Polished	200132320-25	320	330	-	35	10
● Silk Polished	200132416-25	416	426	-	35	10
● Silk Polished	200132480-25	480	490	-	35	10
● Silk Polished	200132512-25	512	522	-	35	10

**DINER**

Design Kamper Form
Material Zamac

Finish	Reference	C/C	L	W	H	Ø
● Inox Look	541360160-66	160	180	12	30	-
● Brushed Anthracite	541360160-91S	160	180	12	30	-
● Inox Look	541360320-66	320	340	12	30	-
● Brushed Anthracite	541360320-91S	320	340	12	30	-

**D-LITE**

Design Adam Laws
Material Aluminium

Finish	Reference	C/C	L	W	H	Ø
● Bright Nickel	552120160-06	160	172	12	32	-
● Gold	552120160-34	160	172	12	32	-
● Matt Black	552120160-99	160	172	12	32	-




*matching knob D-LITE - page 174



DOPPIA

Design VE2
Material Aluminium


Finish	Reference	C/C	L	W	H	Ø
● Inox Look	428120128160-66	128+160	168	8	30	-
● Inox Look	428120256288-66	256+288	296	8	30	-



ELAN

Design VE2
Material Aluminium

Finish	Reference	C/C	L	W	H	Ø
● Brushed Brass	453320160-31	160	200	20	18	-
● Inox Look	453320160-66	160	200	20	18	-
● Brushed Matt Black	453320160-76	160	200	20	18	-
● Brushed Brass	453320544-31	160/544	600	20	18	-
● Inox Look	453320544-66	160/544	600	20	18	-
● Brushed Matt Black	453320544-76	160/544	600	20	18	-
● Brushed Brass	4533201088-31	160/544/1088	1200	20	18	-
● Inox Look	4533201088-66	160/544/1088	1200	20	18	-
● Brushed Matt Black	4533201088-76	160/544/1088	1200	20	18	-




*matching knob ELAN - page 177

ELAN WOOD

Design VE2
Material Wood FSC 100%



Finish	Reference	C/C	L	W	H	Ø
● Oak Lacq.	104420160-052	160	200	22	20	-
● Dark Brown Oak	104420160-056	160	200	22	20	-
● Oak Lacq.	104420544-052	160/544	600	22	20	-
● Dark Brown Oak	104420544-056	160/544	600	22	20	-
● Oak Lacq.	1044201088-052	160/544/1088	1200	22	20	-
● Dark Brown Oak	1044201088-065	160/544/1088	1200	22	20	-



*matching knob ELAN - page 177

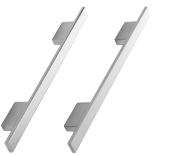


Elan - page 30

ELE

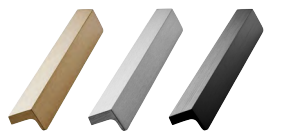
Design Designit
Material Zamac

Finish	Reference	C/C	L	W	H	Ø
● Bright Chrome	516860160192-08	160/192	260	16	25	-
● Inox Look	516860160192-66	160/192	260	16	25	-
● Bright Chrome	516860320-08	320	400	16	25	-
● Inox Look	516860320-66	320	400	16	25	-

**ENVELOPE**

Design VE2
Material Aluminium

Finish	Reference	C/C	L	W	H	Ø
● Brushed Brass	449220160-31	160	200	25	24	-
● Inox Look	449220160-66	160	200	25	24	-
● Brushed Matt Black	449220160-76	160	200	25	24	-



*matching knob ENVELOPE - page 143

EPOCH LIGHT

Design Hans Sandgren Jakobsen
Material Zamac

Finish	Reference	C/C	L	W	H	Ø
● Inox Look	510660160-66	160	172	12	37	-

**EQUESTER**

Design Kamper Form
Material Zamac

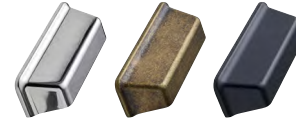
Finish	Reference	C/C	L	W	H	Ø
● Bright Nickel	552220160-06	160	172	12	32	-
● Antique Brass	552220160-39	160	172	12	32	-
● Matt Black	552220160-99	160	172	12	32	-
● Bright Nickel	552220320-06	320	332	12	32	-
● Antique Brass	552220320-39	320	332	12	32	-
● Matt Black	552220320-99	320	332	12	32	-



EQUESTER CUP

Design Kamper Form
Material Zamac

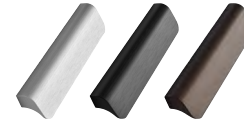
Finish	Reference	C/C	L	W	H	Ø
● Bright Nickel	548420064-06	64	78	26	25	-
● Antique Brass	548420064-39	64	78	26	25	-
● Matt Black	548420064-99	64	78	26	25	-



FALL

Design VE2
Material Aluminium

Finish	Reference	C/C	L	W	H	Ø
● Inox Look	434320128-66	128	140	20	30	-
● Brushed Matt Black	434320128-76	128	140	20	30	-
● Antique Bronze	434320128-94	128	140	20	30	-
● Inox Look	434320224-66	224	236	20	30	-
● Brushed Matt Black	434320224-76	224	236	20	30	-
● Antique Bronze	434320224-94	224	236	20	30	-



*matching knob FALL - page 177





Crossing - page 25



Join - page 48



Crossing - page 25



Crossing - page 25



FLAT

Design furnipart
Material Zamac

Finish	Reference	C/C	L	W	H	Ø
● Bright Chrome	512860128-08	128	142	8	33	-
● Polished Brass	512860128-29	128	142	8	33	-
● Inox Look	512860128-66	128	142	8	33	-
● Brown Black	512860128-95	128	142	8	33	-
● Matt Black	512860128-99	128	142	8	33	-
● Bright Chrome	512860192-08	192	206	8	33	-
● Polished Brass	512860192-29	192	206	8	33	-
● Inox Look	512860192-66	192	206	8	33	-
● Brown Black	512860192-95	192	206	8	33	-
● Matt Black	512860192-99	192	206	8	33	-
● Bright Chrome	512860256-08	256	270	8	33	-
● Polished Brass	512860256-29	256	270	8	33	-
● Inox Look	512860256-66	256	270	8	33	-
● Brown Black	512860256-95	256	270	8	33	-
● Matt Black	512860256-99	256	270	8	33	-
● Polished Brass	512860448-29	448	462	8	33	-
● Inox Look	512860448-66	448	462	8	33	-
● Brown Black	512860448-95	448	462	8	33	-
● Matt Black	512860448-99	448	462	8	33	-



*matching knob AUTUMN - page 163

FOLD

Design Kamper Form
Material Zamac

Finish	Reference	C/C	L	W	H	Ø
● Antique Grey	537960160-22	160	170	18	32	-
● Antique Brown	537960160-23	160	170	18	32	-
● Inox Look	537960160-66	160	170	18	32	-



FOLD LIGHT

Design Kamper Form
Material Zamac

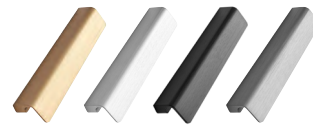
Finish	Reference	C/C	L	W	H	Ø
● Inox Look	541960160-66	160	170	13	30	-



FRINGE

Design VE2
Material Aluminium

Finish	Reference	C/C	L	W	H	Ø
● Brushed Brass	442220160-31	160	170	30	26	-
● Inox Look	442220160-66	160	170	30	26	-
● Brushed Matt Black	442220160-76	160	170	30	26	-
● Brushed Anthracite	442220160-91	160	170	30	26	-



GATE

Design Adam Laws
Material Zamac

Finish	Reference	C/C	L	W	H	Ø
● Antique Brass	549720160-39	160	172	12	30	-
● Inox Look	549720160-66	160	172	12	30	-
● Matt Black	549720160-99	160	172	12	30	-



*matching knob GATE - page 178

GLOVE

Design kaschkasch
Material Wood FSC 100%



Finish	Reference	C/C	L	W	H	Ø
● Oak Lacq.	103190160-052	160	180	24	26	-
● Black Oak	103190160-992	160	180	24	26	-



*matching knob GLOVE - page 178

GUILD

Design VE2
Material Zamac

Finish	Reference	C/C	L	W	H	Ø
● Brushed Anthracite	552820160-91	160	170	24	12	-
● Matt Black	552820160-99	160	170	24	12	-

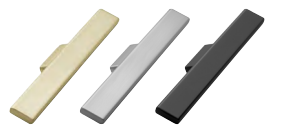


Chateau - page 22

HAMMER

Design Rikke Frost
Material Zamac

Finish	Reference	C/C	L	W	H	Ø
● Brushed Gold	544860032-33	32	160	24	16	-
● Inox Look	544860032-66	32	160	24	16	-
● Matt Black	544860032-99	32	160	24	16	-

**HERITAGE**

Design Kamper Form
Material Zamac

Finish	Reference	C/C	L	W	H	Ø
● Bright Nickel	555020160-06	160	190	20	31	-
● Brushed Brass	555020160-32	160	190	20	31	-
● Gun-Metal	555020160-74	160	190	20	31	-
● Bright Nickel	555020320-06	320	350	20	31	-
● Brushed Brass	555020320-32	320	350	20	31	-
● Gun-Metal	555020320-74	320	350	20	31	-



*matching knob HERITAGE - page 181

HEXA

Design Rikke Frost
Material Zamac

Finish	Reference	C/C	L	W	H	Ø
● Antique Brass	550520160-39	160	170	11	34	-
● Inox Look	550520160-66	160	170	11	34	-
● Matt Black	550520160-99	160	170	11	34	-



*matching knob HEXA - page 181

HORIZON LARGE

Design Adam Laws
Material Zamac

Finish	Reference	C/C	L	W	H	Ø
● Brushed Brass	553120064-32	64	140	70	28	-
○ Matt White	553120064-0500	64	140	70	28	-
● Matt Black	553120064-99	64	140	70	28	-



*matching knob HORIZON SMALL - page 181



HORIZON LARGE WOOD

Design Adam Laws
 Material Wood FSC 100%



Finish	Reference	C/C	L	W	H	Ø
● Oak Lacquered	104220064-052	64	140	28	70	-
● Dark Brown Oak	104220064-056	64	140	28	70	-

*matching knob HORIZON SMALL - page 181



INSIDE

Design kaschkasch
 Material Aluminium

Finish	Reference	C/C	L	W	H	Ø
● Inox Look	454220160-66	160	169	14	32	-
● Matt Black	454220160-9005	160	169	14	32	-

*matching knob INSIDE - page 185



JOIN

Design kaschkasch
 Material Wood FSC 100%



Finish	Reference	C/C	L	W	H	Ø
● Oak Lacq.	103290160-052	160	240	13	36	-
● Oak Lacq.	103290320-052	320	400	13	36	-

*matching knob JOIN - page 185



JUNCTION

Design Steffensen & Würtz
 Material Zamac

Finish	Reference	C/C	L	W	H	Ø
● Brushed Brass	547060160-32	160	170	10	34	-
● Inox Look	547060160-66	160	170	10	34	-
● Brushed Anthracite	547060160-91	160	170	10	34	-
● Matt Black	547060160-99	160	170	10	34	-



Horizon Large - page 45

LEAF

Design VE2
Material Zamac

Finish	Reference	C/C	L	W	H	Ø
● Brushed Brass	555420160-32	160	200	20	43	-
● Matt Black	555420160-99	160	200	20	43	-

*matching knob LEAF - page 186

**LIGHT**

Design furnipart
Material Aluminium

Finish	Reference	C/C	L	W	H	Ø
● Inox Look	428420160-66	160	176	16	25	-

**LOCKER**

Design furnipart
Material Zamac

Finish	Reference	C/C	L	W	H	Ø
● Antique Grey	534260128-22	128	140	40/13	32	-
● Antique Brown	534260128-23	128	140	40/13	32	-
● Inox Look	534260128-66	128	140	40/13	32	-

**LOOP**

Design furnipart
Material Aluminium

Finish	Reference	C/C	L	W	H	Ø
● Inox Look	411220075-66	32	75	25	16	-
● Inox Look	411220125-66	96	125	25	16	-
● Inox Look	411220225-66	128+160+192	225	25	16	-
● Inox Look	411220325-66	128+256+280	325	25	16	-
● Inox Look	411220375-66	128+330	375	25	16	-
● Inox Look	411220425-66	128+365+380	425	25	16	-
● Inox Look	411220525-66	128+448+465+480	525	25	16	-
● Inox Look	411220625-66	128+565+580	625	25	16	-
● Inox Look	411220725-66	128+665+680	725	25	16	-
● Inox Look	411220825-66	128+765+780	825	25	16	-
● Inox Look	411220925-66	128+865+880	925	25	16	-
● Inox Look	4112201125-66	128+1065+1080	1.125	25	16	-



LOUNGE

Design furnipart

Material Stainless Steel / Lead-Free Brass / Steel / Zamac

Finish	Reference	C/C	L	W	H	Ø
● Untreated Brass Polished	240330128-15	128	142	14	35	-
● Mirror Polished	240330128-18	128	142	14	35	-
● Brushed Brass	240330128-21	128	142	14	35	-
● Antique Brown	546260128-23	128	142	14	35	-
● Silk Polished	240330128-25	128	142	14	35	-
● Polished Brass	240330128-29	128	142	14	35	-
● Gun-Metal	546260128-74	128	142	14	35	-
● Matt Black	546260128-99	128	142	14	35	-
● Untreated Brass Polished	240330160-15	160	174	14	35	-
● Mirror Polished	240330160-18	160	174	14	35	-
● Brushed Brass	240330160-21	160	174	14	35	-
● Antique Brown	546260160-23	160	174	14	35	-
● Silk Polished	240330160-25	160	174	14	35	-
● Polished Brass	240330160-29	160	174	14	35	-
● Gun-Metal	546260160-74	160	174	14	35	-
● Matt Black	546260160-99	160	174	14	35	-



LOUNGE

Design furnipart

Material Stainless Steel / Lead-Free Brass / Steel / Leather

Finish	Reference	C/C	L	W	H	Ø
● Leather Black/Mirror Polished	240330160-102/18	160	174	14	35	-
● Leather Black/Silk Polished	240330160-102/25	160	174	14	35	-
● Leather Dark Brown/ Polished Brass	240330160-104/29	160	174	14	35	-
● Leather/Steel Black Leather/ Matt Black	546260160-102/99	160	174	14	35	-



LUCK

Design kaschkasch

Material Zamac

Finish	Reference	C/C	L	W	H	Ø
● Brushed Gold	544560160-33	160	179	8	40	-
● Inox Look	544560160-66	160	179	8	40	-
● Black	544560160-9005	160	179	8	40	-



*matching knob LUCK - page 186



Delta - page 26



MANGO

Design Kamper Form
Material Zamac

Finish	Reference	C/C	L	W	H	Ø
○ White	529060160-0502	160	172	12	35	-
● Brushed Brass	529060160-32	160	172	12	35	-
● Antique Brass	529060160-39	160	172	12	35	-
● Inox Look	529060160-66	160	172	12	35	-
● Grey	529060160-6000	160	172	12	35	-
● Black	529060160-9005	160	172	12	35	-
○ Bright Chrome	529060192-08	192	204	12	35	-
● Inox Look	529060192-66	192	204	12	35	-
● Black	529060192-9005	192	204	12	35	-
○ White	529060320-0502	320	332	12	35	-
○ Bright Chrome	529060320-08	320	332	12	35	-
● Inox Look	529060320-66	320	332	12	35	-
● Grey	529060320-6000	320	332	12	35	-
● Black	529060320-9005	320	332	12	35	-
● Inox Look	552420544-66	544	556	12	35	-
● Black	552420544-9005	544	556	12	35	-
● Inox Look	5524201088-66	1088	1100	12	35	-
● Black	5524201088-9005	1088	1100	12	35	-



MANOR

Design Kamper Form
Material Zamac

Finish	Reference	C/C	L	W	H	Ø
● Gold	548920128-34	128	182	14	36	14
● Antique Brass	548920128-39	128	182	14	36	14
● Inox Look	548920128-66	128	182	14	36	14
● Matt Black	548920128-99	128	182	14	36	14
● Gold	548920192-34	192	246	14	36	14
● Antique Brass	548920192-39	192	246	14	36	14
● Inox Look	548920192-66	192	246	14	36	14
● Matt Black	548920192-99	192	246	14	36	14

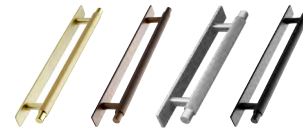


*matching knob MANOR ROUND - page 186

MANOR BACK

Design Kamper Form
Material Zamac

Finish	Reference	C/C	L	W	H	Ø
● Gold	549020128-34	128	190	20	39	14
● Antique Brass	549020128-39	128	190	20	39	14
● Inox Look	549020128-66	128	190	20	39	14
● Matt Black	549020128-99	128	190	20	39	14
● Gold	549020192-34	192	254	20	39	14
● Antique Brass	549020192-39	192	254	20	39	14
● Inox Look	549020192-66	192	254	20	39	14
● Matt Black	549020192-99	192	254	20	39	14



*matching knob MANOR T - page 189

MANTA

Design Adam Laws
Material Wood

Finish	Reference	C/C	L	W	H	Ø
● Oak Lacq.	101390160-052	160	240	24	26	-
● Walnut Lacq.	101390160-292	160	240	24	26	-



MELON

Design Søren Holst
Material Zamac

Finish	Reference	C/C	L	W	H	Ø
● Inox Look	500460128-66	128	159	16	26	-
● Inox Look	500460192-66	192	229	20	33	-



MERCURY

Design Kamper Form
Material Zamac

Finish	Reference	C/C	L	W	H	Ø
● Antique Brown	536360128-23	128	146	18	32	-

*matching knob MERCURY - page 189



Lounge - page 52



Manor Back - page 56

METRO

Design Rikke Frost
Material Zamac

Finish	Reference	C/C	L	W	H	Ø
● Brushed Gold	540960160-33	160	180	20	28	-
● Inox Look	540960160-66	160	180	20	28	-
● Brushed Anthracite	540960160-91	160	180	20	28	-



MONTE

Design VE2
Material Marble

Finish	Reference	C/C	L	W	H	Ø
● White	800120064-WC	64	100	28	30	-

*matching knob MONTE - page 189



MOTION

Design Steffensen & Würtz
Material Cast Iron

Finish	Reference	C/C	L	W	H	Ø
● Black	300080160-9005	160	182	22	35	-

*matching knob MOTION - page 189



OAKLY

Design Hans Sandgren Jakobsen
Material Zamac

Finish	Reference	C/C	L	W	H	Ø
● Inox Look	531160160-66	160	224	10	39	10







PAGODA

Design Kamper Form
Material Cast Iron

Finish	Reference	C/C	L	W	H	Ø
● Black	300060160-9005	160	173	13	38	-

*matching knob PAGODA - page 190



PEN

Design kaschkasch
Material Cast Iron

Finish	Reference	C/C	L	W	H	Ø
● Black	300070128-9005	128	183	11	32	-



PHARMA

Design furnipart
Material Zamac

Finish	Reference	C/C	L	W	H	Ø
● Antique Grey	534360064-22	64	95	38	22	-
● Antique Brown	534360064-23	64	95	38	22	-
● Inox Look	534360064-66	64	95	38	22	-



PILLAR

Design Steffensen & Würtz
Material Zamac

Finish	Reference	C/C	L	W	H	Ø
● Matt Black	547620160-99	160	175	15	33	-


*matching knob PILLAR - page 196



PLANK


Design Steffensen & Würtz
Material Wood FSC 100%

Finish	Reference	C/C	L	W	H	Ø
● Black Oak	104120096-992	96	116	34	12	-
● Black Oak	104120160-992	160	180	34	12	-


PORT


Design Kamper Form
Material Zamac

Finish	Reference	C/C	L	W	H	Ø
● Antique Grey	542760096-22	96	112	39	30	-
● Antique Brown	542760096-23	96	112	39	30	-
● Inox Look	542760096-66	96	112	39	30	-
● Matt Black	542760096-99	96	112	39	30	-


PROVENCE

Design Hans Sandgren Jakobsen
Material Cast Iron

Finish	Reference	C/C	L	W	H	Ø
● Black	300010160-9005	160	179	13	38	-



PRIMO SLIM

Design Adam Laws
Material Aluminium

Finish	Reference	C/C	L	W	H	Ø
● Inox Look	429120189-66	69	189	16	19	-
● Inox Look	429120289-66	2x85	289	16	19	-
● Inox Look	429120339-66	2x110	339	16	19	-
● Inox Look	429120389-66	2x135	389	16	19	-
● Inox Look	429120439-66	2x160	439	16	19	-
● Inox Look	429120489-66	3x123	489	16	19	-
● Inox Look	429120589-66	3x156	589	16	19	-
● Inox Look	429120789-66	4x167	789	16	19	-
● Inox Look	429120889-66	5x154	889	16	19	-
● Inox Look	429120989-66	6x145	989	16	19	-
● Inox Look	4291201089-66	6x162	1.089	16	19	-
● Inox Look	4291201189-66	7x153	1.189	16	19	-
● Black	429120289-9005	2x85	289	16	19	-
● Black	429120389-9005	2x135	389	16	19	-
● Black	429120439-9005	2x160	439	16	19	-
● Black	429120489-9005	3x123	489	16	19	-
● Black	429120589-9005	3x156	589	16	19	-
● Black	429120789-9005	4x167	789	16	19	-
● Black	429120889-9005	5x154	889	16	19	-
● Black	429120989-9005	6x145	989	16	19	-
● Black	4291201189-9005	7x153	1.189	16	19	-



PUNCTUATE

Design Kamper Form
Material Zamac

Finish	Reference	C/C	L	W	H	Ø
● Brushed Anthracite	546360160-91	160	172	12	36	-



PYRAMID

Design furnipart
Material Zamac

Finish	Reference	C/C	L	W	H	Ø
● Inox Look	518760160-66	160	173	8/16	30	-
● Black	518760160-9005	160	173	8/16	30	-
● Inox Look	518760320-66	320	333	8/16	30	-
● Black	518760320-9005	320	333	8/16	30	-



RADIUS

Design Steve McGuan
Material Zamac

Finish	Reference	C/C	L	W	H	Ø
● Inox Look	533860160-66	160	170	28	30	-

**RATTAN**

Design Kamper Form
Material Zamac

Finish	Reference	C/C	L	W	H	Ø
● Brushed Brass	549920160-32	160	168	14	31	-
● Inox Look	549920160-66	160	168	14	31	-
● Matt Black	549920160-99	160	168	14	31	-

**REGULAR 2**

Design Kamper Form
Material Stainless Steel

Finish	Reference	C/C	L	W	H	Ø
● Silk Polished	240530192-25	192	206	-	40	13
● Black	240530192-9005	192	206	-	40	13
● Black	240530320-9005	320	334	-	40	13
● Silk Polished	240530640-25	640	654	16	40	-
● Matt Black	240530640-99	640	654	16	40	-
● Silk Polished	2405301280-25	1280	1297	16	40	-
● Matt Black	2405301280-99	1280	1297	16	40	-

**Extention parts**

● Tube	242830800-25	-	800	-	-	13
● Tube	242830800-99	-	800	-	-	13
● Connector	553225014-66	-	14	16	40	-
● Connector	553225014-99	-	14	16	40	-
● Foot	553220014-66	-	14	16	40	-
● Foot	553220014-99	-	14	16	40	-



RIO

Design Kamper Form
Material Zamac

Finish	Reference	C/C	L	W	H	Ø
● Antique Grey	530660128-22	128	164	16	30	-
● Antique Brown	530660128-23	128	164	16	30	-
● Inox Look	530660128-66	128	164	16	30	-
● Antique Copper	530660128-98	128	164	16	30	-
● Matt Black	530660128-99	128	164	16	30	-
● Antique Grey	530660256-22	256	292	16	30	-
● Antique Brown	530660256-23	256	292	16	30	-
● Inox Look	530660256-66	256	292	16	30	-
● Matt Black	530660256-99	256	292	16	30	-



SEAM

Design Kamper Form
Material Aluminium

Finish	Reference	C/C	L	W	H	Ø
● Bright Chrome	448920160-08	160	170	16	30	-
● Inox Look	448920160-66	160	170	16	30	-
● Black	448920160-9005	160	170	16	30	-
● Bright Chrome	448920320-08	320	330	16	30	-
● Inox Look	448920320-66	320	330	16	30	-
● Black	448920320-9005	320	330	16	30	-



SCOPE

Design Rikke Frost
Material Zamac

Finish	Reference	C/C	L	W	H	Ø
● Inox Look	543060160-66	160	176	16	36	-
● Black	543060160-9005	160	176	16	36	-

*matching knob SCOPE - page 199





SHIP

Design furnipart
Material Zamac

Finish	Reference	C/C	L	W	H	Ø
● Antique Grey	529660128-22	128	165	25	37	-
● Antique Brown	529660128-23	128	165	25	37	-
● Inox Look	529660128-66	128	165	25	37	-

**SHUFFLE**

Design Meneghello Paoletti
Material Zamac

Finish	Reference	C/C	L	W	H	Ø
● Brushed Gold	543160160-33	160	172	12	37	-
● Inox Look	543160160-66	160	172	12	37	-
● Brushed Anthracite	543160160-91	160	172	12	37	-

**SLIM**

Design Meike Neuhaus
Material Zamac

Finish	Reference	C/C	L	W	H	Ø
● Bright Chrome	515460160-08	160	200	8/11	30	-
● Inox Look	515460160-66	160	200	8/11	30	-
● Matt Black	515460160-99	160	200	8/11	30	-
● Bright Chrome	515460320-08	320	360	8/11	30	-
● Inox Look	515460320-66	320	360	8/11	30	-
● Matt Black	515460320-99	320	360	8/11	30	-
● Bright Chrome	515460448-08	448	488	8/11	30	-
● Inox Look	515460448-66	448	488	8/11	30	-
● Matt Black	515460448-99	448	488	8/11	30	-

**SLOPE**

Design kaschkasch
Material Zamac

Finish	Reference	C/C	L	W	H	Ø
● Inox Look	550320160-66	160	181	25	31	-
● Matt Black	550320160-99	160	181	25	31	-

*matching knob SLOPE - page 200



SPACE

Design Meike Neuhaus
Material Aluminium

Finish	Reference	C/C	L	W	H	Ø
● Inox Look	456920128-66	128	145	12	34	-
● Black Powder Coated	456920128-9005E	128	145	12	34	-
● Inox Look	456920192-66	192	209	12	34	-
● Black Powder Coated	456920192-9005E	192	209	12	34	-
● Inox Look	456920320-66	320	337	12	34	-
● Black Powder Coated	456920320-9005E	320	337	12	34	-



SPAN

Design Meike Neuhaus
Material Aluminium

Finish	Reference	C/C	L	W	H	Ø
● Bright Chrome	449020160-08	160	171	15	33	-
● Inox Look	449020160-66	160	171	15	33	-
● Black	449020160-9005	160	171	15	33	-



SQUARE 10 OCEANIX

Design furnipart
Material OceanIX Recycled Plastic

Finish	Reference	C/C	L	W	H	Ø
● Dyed Black	700020128-86	128	138	10	32	-
○ White	700020128-1001-N	128	138	10	32	-
● Beige	700020128-1505-Y70R	128	138	10	32	-
● Grey	700020128-S5000	128	138	10	32	-



*matching knob PLATO - page 196

SQUARE 10

Design furnipart
Material Aluminium

Finish	Reference	C/C	L	W	H	Ø
○ Matt White	435820128-0500	128	138	10	32	-
● Brushed Brass	435820128-31	128	138	10	32	-
● Inox Look	435820128-66	128	138	10	32	-
● Brushed Matt Black	435820128-76	128	138	10	32	-
● Brushed Anthracite	435820128-91	128	138	10	32	-



*matching knob PLATO - page 196



Vista - page 92



SQUARE 10

Design furnipart

Material Cast Aluminium

Finish	Reference	C/C	L	W	H	Ø
● Inox Look	414620096-66	96	106	10	32	-
● Inox Look	414620128-66	128	138	10	32	-
● Inox Look	414620160-66	160	170	10	32	-
● Inox Look	414620192-66	192	202	10	32	-
● Inox Look	414620224-66	224	234	10	32	-
● Inox Look	414620320-66	320	330	10	32	-
● Inox Look	414620448-66	448	458	10	32	-
● Black	414620096-9005	96	106	10	32	-
● Black	414620128-9005	128	138	10	32	-
● Black Powder Coated	414620160-9005E	160	170	10	32	-
● Black	414620192-9005	192	202	10	32	-
● Black	414620224-9005	224	234	10	32	-
● Black	414620320-9005	320	330	10	32	-
● Black	414620448-9005	448	458	10	32	-



SQUARE 10

Design furnipart

Material Zamac

Finish	Reference	C/C	L	W	H	Ø
● Bright Chrome	510360096-08	96	106	10	32	-
● Inox Look	510360096-66	96	106	10	32	-
● Bright Chrome	510360128-08	128	138	10	32	-
● Inox Look	510360128-66	128	138	10	32	-
● Matt Black	510360128-99	128	138	10	32	-
● Bright Chrome	510360160/08	160	170	10	32	-
● Inox Look	510360160-66	160	170	10	32	-
● Matt Black	510360160-99	160	170	10	32	-
● Bright Chrome	510360192-08	192	202	10	32	-
● Inox Look	510360192-66	192	202	10	32	-
● Bright Chrome	510360224-08	224	234	10	32	-
● Inox Look	510360224-66	224	234	10	32	-
● Matt Black	510360224-99	224	234	10	32	-
● Bright Chrome	510360320-08	320	330	10	32	-
● Inox Look	510360320-66	320	330	10	32	-
● Matt Black	510360320-99	320	330	10	32	-
● Bright Chrome	510360448-08	448	458	10	32	-
● Inox Look	510360448-66	448	458	10	32	-
● Matt Black	510360448-99	448	458	10	32	-



SQUARE 12

Design furnipart
Material Zamac

Finish	Reference	C/C	L	W	H	Ø
● Inox Look	509560160-66	160	172	12	32	-



SQUARE 12

Design furnipart
Material Aluminium

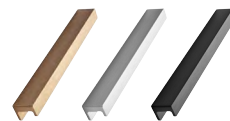
Finish	Reference	C/C	L	W	H	Ø
● Black	413020160-9005	160	172	12	32	-
● Black	413020192-9005	192	204	12	32	-
● Black	413020320-9005	320	332	12	32	-



STATION

Design Kamper Form
Material Aluminium

Finish	Reference	C/C	L	W	H	Ø
● Brushed Brass	437620160-31	160	190	22	25	-
● Inox Look	437620160-66	160	190	22	25	-
● Brushed Matt Black	437620160-76	160	190	22	25	-
● Brushed Brass	437620320-31	320	350	22	25	-
● Inox Look	437620320-66	320	350	22	25	-
● Brushed Matt Black	437620320-76	320	350	22	25	-



*matching knob STATION - page 200

STREAMLINE

Design Adam Laws
Material Aluminium

Finish	Reference	C/C	L	W	H	Ø
● Black	454520096-9005	96	225	17	17	-
● Black	454520256-9005	256	385	17	17	-



Lounge - page 52

TANGERINE

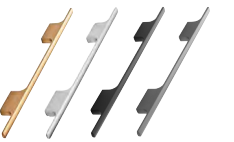
Design Adam Laws
Material Aluminium

Finish	Reference	C/C	L	W	H	Ø
● Inox Look	427920128-66	128	146	16/7	27	-

**TAU**

Design VE2
Material Aluminium

Finish	Reference	C/C	L	W	H	Ø
● Brushed Brass	446320160-31	160	286	10	25	-
● Inox Look	446320160-66	160	286	10	25	-
● Brushed Matt Black	446320160-76	160	286	10	25	-
● Brushed Anthracite	446320160-91	160	286	10	25	-



*matching knob TAU - page 200

TOCCO

Design Meneghello Paoletti
Material Zamac

Finish	Reference	C/C	L	W	H	Ø
● Dark Brushed Gold	554620160-35	160	192	11	34	-
● Matt Black	554620160-99	160	192	11	34	-

**TORCH**

Design Rikke Frost
Material Zamac

Finish	Reference	C/C	L	W	H	Ø
● Inox Look	546560160-66	160	177	13	37	-
● Brushed Anthracite	546560160-91	160	177	13	37	-
● Matt Black	546560160-99	160	177	13	37	-



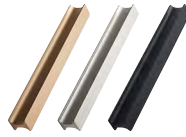


Delta - page 26

TRACK

Design Meneghello Paoelli
Material Aluminium

Finish	Reference	C/C	L	W	H	Ø
● Brushed Brass	457020160-31	160	200	19	24	-
● Inox Look	457020160-66	160	200	19	24	-
● Brushed Matt Black	457020160-76	160	200	19	24	-
● Brushed Brass	457020544-31	160/544	600	19	24	-
● Inox Look	457020544-66	160/544	600	19	24	-
● Brushed Matt Black	457020544-76	160/544	600	19	24	-
● Brushed Brass	4570201088-31	160/544/1088	1200	19	24	-
● Inox Look	4570201088-66	160/544/1088	1200	19	24	-
● Brushed Matt Black	4570201088-76	160/544/1088	1200	19	24	-



*matching knob TRACK - page 205

TRACK WOOD

Design Meneghello Paoelli
Material Wood FSC 100%



Finish	Reference	C/C	L	W	H	Ø
● Oak Lacquered	103720160-052	160	200	19	24	-
● Dark Brown Oak	103720160-056	160	200	19	24	-
● Oak Lacquered	103720544-052	160/544	600	19	24	-
● Dark Brown Oak	103720544-056	160/544	600	19	24	-
● Oak Lacquered	1037201088-052	160/544/1088	1200	19	24	-
● Dark Brown Oak	1037201088-056	160/544/1088	1200	19	24	-



*matching knob TRACK - page 205

TRANSIT

Design VE2
Material Zamac

Finish	Reference	C/C	L	W	H	Ø
● Inox Look	550620160-66	160	219	12	24	-
● Matt Black	550620160-99	160	219	12	24	-



*matching knob TRANSIT - page 205



TUBULAR

Design furnipart
Material Lead-Free Brass

Finish	Reference	C/C	L	W	H	Ø
● Untreated Brass	242330096-15	96	105	9	34	-
● Untreated Brass	242330128-15	128	137	9	34	-

**UNIFY**

Design Meneghello Paoelli
Material Zamac

Finish	Reference	C/C	L	W	H	Ø
● Inox Look	554520160-66	160	170	12	34	-
● Gun-Metal	554520160-74	160	170	12	34	-
● Matt Black	554520160-99	160	170	12	34	-
● Inox Look	554520320-66	320	330	12	34	-
● Gun-Metal	554520320-74	320	330	12	34	-
● Matt Black	554520320-99	320	330	12	34	-



*matching knob UNIFY - page 206

U-TURN

Design Hans Sandgren Jakobsen
Material Zamac

Finish	Reference	C/C	L	W	H	Ø
● Antique Grey	540760160-22	160	187	7	38	-
● Antique Brown	540760160-23	160	187	7	38	-
● Inox Look	540760160-66	160	187	7	38	-
● Matt Black	540760160-99	160	187	7	38	-

**VANILLA**

Design Kamper Form
Material Ceramic

Finish	Reference	C/C	L	W	H	Ø
○ White	601201096-0	96	140	30	26	-

*matching knob VANILLA - page 206



VILLA

Design Kamper Form
Material Zamac

Finish	Reference	C/C	L	W	H	Ø
● Bright Nickel	553020128-06	128	177	20	34	-
● Antique Brown	553020128-23	128	177	20	34	-
● Black Nickel	553020128-70	128	177	20	34	-
● Gun-Metal	553020128-74	128	177	20	34	-
● Bright Nickel	553020192-06	192	241	20	34	-
● Antique Brown	553020192-23	192	241	20	34	-
● Black Nickel	553020192-70	192	241	20	34	-
● Gun-Metal	553020192-74	192	241	20	34	-



*matching knob VILLA ROUND & VILLA T - page 206

VISTA

Design Kamper Form
Material Zamac

Finish	Reference	C/C	L	W	H	Ø
● Bright Chrome	538560160-08	160	176	10	38	-
● Inox Look	538560160-66	160	176	10	38	-
● Brushed Anthracite	538560160-91	160	176	10	38	-
● Inox Look	532960192-66	192	208	10	38	-
● Bright Chrome	538560256-08	256	272	10	38	-
● Inox Look	538560256-66	256	272	10	38	-
● Bright Chrome	538560320-08	320	336	10	38	-
● Inox Look	538560320-66	320	336	10	38	-
● Brushed Anthracite	538560320-91	320	336	10	38	-



Track - page 88

our wood collection

Rather than the design driving what material we use, the use of wood means that the material defines the design. This is evident in how we utilise the woodgrain to emphasise the natural flowing lines of our products. FSC-certified wood - of course.



It has been pivotal to us that the wood used for these handles is sourced from responsible forestry, and we can proudly say that a majority of furnipart's wooden handles are FSC certified.

This new wood collection offers a fresh perspective and brings a natural softness to every design.



Join - page 185



Crossing - page 25



The mark of responsible forestry



Crossing - page 173



Crossing (page 25 & 173), Join (page 48 & 185)



Join - page 48

our designers

furnipart has a long tradition of collaborating with both well-established and new designers from all around the world. We take great pride in finding unique designs that fit perfectly into our collection, so when we find a new design partner, we always make a careful assessment to ensure they fit into furnipart's ethos and culture.

ADAM LAWS

Adam Laws is an Australian designer whose studio is located in Sydney. His creative form concepts and innovative technical design solutions have been awarded over 20 design awards.



CHESSPLUS by Chessplus
Designed by Adam Laws

His back catalogue of work includes brands such as Harley-Davidson (USA), Youmans Capsule (New Zealand) and ChessPlus (Australia). Adam Laws is regularly enthused by Australia's beautiful and wild nature, and several of the designs he has created for furnipart have been inspired by the sea.

Adam Laws is responsible for designing EDGE STRAIGHT, which has been a staple of our collection since 2012. The continual popularity of EDGE STRAIGHT has only increased over time and new colours and lengths are still being added today.

A2, A3, A4 Capsules by Youmans Capsule
Designed by Adam Laws





The American shaker movement's approach to furniture design, where beauty depends on functionality is a consistent influence throughout his work, such as in furniture for the Danish Naver Collection and Horse Shoe Chair designed for Japanese Actus Interior

Hans Sandgren Jakobsen's designs are above all functional. In collaboration with furnipart, he has created various handles and knobs, all with a clear reference to the Scandinavian design tradition and a light and simple design philosophy. It is clear from his designs and solutions that Hans Sandgren Jakobsen follows the mantra that less is more.



RO Table by Naver Collection
Horse Shoe Chair by Actus Interior
 Designed by Hans Sandgren Jakobsen

HANS SANDGREN JAKOBSEN

You will find Hans Sandgren Jakobsen's studio located in a beautiful old harbour front building, practically on the quay edge in the Port of Grenaa, Denmark.

PLATO by furnipart
 Designed by Hans Sandgren Jakobsen





DOI by Luceplan
Designed by Meneghello Paoelli

© COURTESY LUCEPLAN



LAMP by Nobili rubinetteria
Designed by Meneghello Paoelli

MENEGHELLO PAOLELLI

The design studio, Meneghello Paoelli, is located in Milan and consists of two designers – Sandro Meneghello and Marco Paoelli. Their collaboration with furnipart started in 2016, and despite this relatively young partnership, Meneghello Paoelli has already made a considerable impact within our collections and they have designed handles that we already consider to be 'classics'. Meneghello Paoelli has collaborated with many brands, including Luceplan, Nobili and Ceramica Bardelli.



© COURTESY LUCEPLAN

NUI by Luceplan - Designed by Meneghello Paoletti



This natural environment inspires Meike Neuhaus to create such things as scenography for TV, stands for trade fairs and events, interior design, product design such as exclusive furniture handles and machine houses for components in plant construction. The challenging versatility is what Meike Neuhaus appreciates in her work above all else.

The goal of Meike Neuhaus, who is a trained cabinetmaker with a degree in Industrial Design, is to create something unique. Meike Neuhaus' talent, specialist knowledge and execution are all interdependent; every design piece is as unmistakable and characterful as the respective customer.



MEIKE NEUHAUS

A small house on the edge of the forest forms the inspiring setting for designer Meike Neuhaus' aesthetic creations. Meike Neuhaus, the founder of Neuhaus Industrial Design (2003), works best with all her versatile designs in a calm and peaceful environment.

SLIM by furnipart
Designed by Meike Neuhaus



SPAN by furnipart
Designed by Meike Neuhaus



ANTO L1016 by Lampas
Designed by VE2

PHOTO: TORBEN ESKEROD



UME Soapdispenser by Zone Denmark
Designed by VE2

VE2

VE2 is Morten Lauritzen and Hugo Dines Schmidt. Founded in 2007, the design studio is located in Aarhus, Denmark. Both designers are graduates of Aarhus School of Architecture and they focus on durable designs which are based on quality, honesty and the designs' ability to create aesthetic and functional value for the user. Since its foundation, the studio has earned huge respect at home and abroad for brands such as Zone Denmark, Skagerak, Lampas and Hitsa.



PHOTO: TORBEN ESKEROD

TERÅS Loungestol by Hitsa - Designed by VE2

RIKKE FROST

Rikke Frost first became well-known when she participated in the TV series "Danmarks næste klassiker" (Denmark's next classic designs), which was broadcast on DR1 during the spring of 2019.



SIDEWAYS SOFA by Carl Hansen & Søn
Designed by Rikke Frost



With some of her designs as Sideways sofa for Carl Hansen & Søn and the Caleo lamp for Le Klint she was named the overall winner. She loves to combine materials and make her designs tactile, as well as give them a functional and visual dimension.

Her designs often have surprising details, as in the handle EDGE Filigree (launched in furnipart's collection in 2017), which won a German Design Award in 2018.



CALEO ORIGINAL by Le Klint
Designed by Rikke Frost

STEFFENSEN&WÜRTZ



Thomas Steffensen and Pia Würtz Mogensen both have an MA in Industrial Design. They have collaborated with several Danish and foreign brands, including Bolia and German kitchen manufacturer Allmilmö and in 2023 the Wine Cooler designed for Sackit won a German Design Award.

They got off to a flying start and began collaborating with furnipart in 2020 and contributed towards furnipart's successful 2020 Collection. The 'handle' HABIT is hugely popular with the innovative way it has solved an irritating real issue from everyday life.

STEFFENSEN & WÜRTZ

Designers Thomas Steffensen and Pia Würtz Mogensen are the founders of design studio Steffensen & Würtz. They work with industrial design in their studio in Aalborg, Denmark.

Wine Cooler by Sackit
Designed by Steffensen & Würtz



Cana Display Series by Bolia
Designed by Steffensen & Würtz



Dune
Designed by Kamper Form



Geo
Designed by Kamper Form

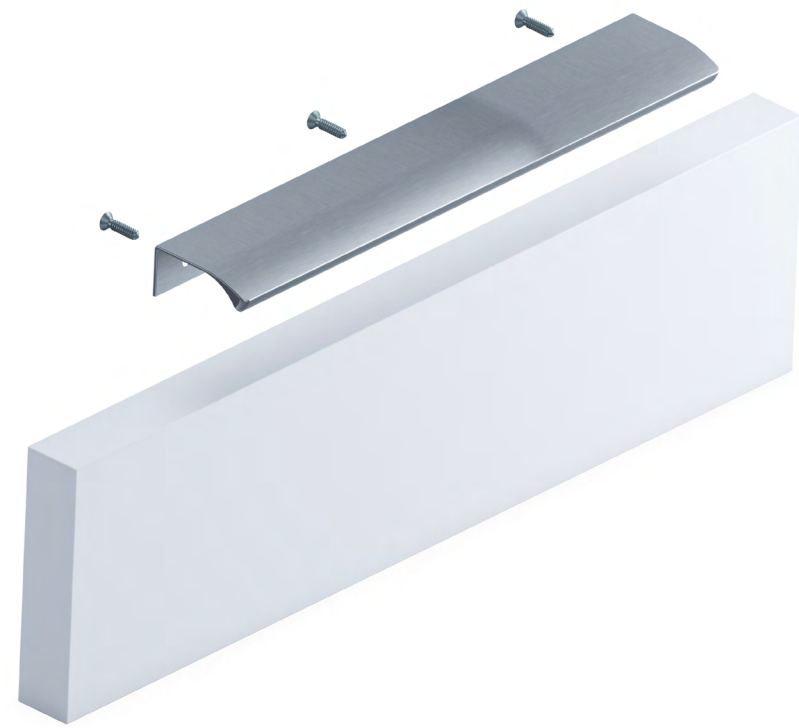
KAMPER FORM

Jakob Kamper is the man behind the design studio Kamper Form. He graduated as an industrial designer at Denmark's Design School (now part of The Royal Danish Academy of Fine Arts Schools of Architecture, Design and Conservation) in 2001 and his design studio is located in Ry, Denmark. Kamper Form's designs are based on the idea that form should be a living thing, they should make an impression and suit the interiors of not just today but also tomorrow. Since Jakob Kamper often works with wood, his designs have proved very popular, especially at Skagerak.

The collaboration with furnipart has resulted in many handles and knobs in the regular collection. For example, a handle like STATION is a beautiful example of Kamper Form's timeless look. The handle's clean lines function equally well in traditional and modern interiors, and the handle itself completely changes in character when its colour is changed.

profile rear mounted

These designs have a cleaner and more simple expression than others. The level of flexibility is high and the variations many. The fine aluminum edge is visible even when the drawer or unit is closed, adding an extra detail to the design of the kitchen or furniture.



ACCENT

Design Steffensen & Würtz
Material Aluminium

Finish	Reference	C/C	L	W	H	Ø
● Brushed Brass	446820050-31	32	50	45	16	-
● Inox Look	446820050-66	32	50	45	16	-
● Matt Black	446820050-76	32	50	45	16	-
● Brushed Brass	446820200-31	160	200	45	16	-
● Inox Look	446820200-66	160	200	45	16	-
● Matt Black	446820200-76	160	200	45	16	-



ARTISAN

Design VE2
Material Aluminium

Finish	Reference	C/C	L	W	H	Ø
● Brushed Brass	454320040-31	20	40	41	12	-
● Inox Look	454320040-66	20	40	41	12	-
● Brushed Matt Black	454320040-76	20	40	41	12	-
● Brushed Brass	454320200-31	160	200	41	12	-
● Inox Look	454320200-66	160	200	41	12	-
● Brushed Matt Black	454320200-76	160	200	41	12	-



BENCH

Design Adam Laws
Material Aluminium

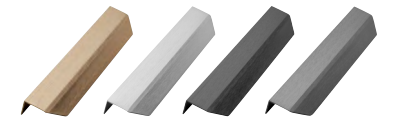
Finish	Reference	C/C	L	W	H	Ø
● Brushed Brass	442320040-31	20	40	48	19	-
● Inox Look	442320040-66	20	40	48	19	-
● Brushed Matt Black	442320040-76	20	40	48	19	-
● Brushed Brass	442320200-31	2x80	200	48	19	-
● Inox Look	442320200-66	2x80	200	48	19	-
● Brushed Matt Black	442320200-76	2x80	200	48	19	-



BLAZE 2

Design Meneghello Paoletti
Material Aluminium

Finish	Reference	C/C	L	W	H	Ø
● Brushed Brass	434520060-31	20	60	40	18	-
● Inox Look	434520060-66	20	60	40	18	-
● Brushed Matt Black	434520060-76	20	60	40	18	-
● Brushed Anthracite	434520060-91	20	60	40	18	-
● Brushed Brass	434520200-31	2x80	200	40	18	-
● Inox Look	434520200-66	2x80	200	40	18	-
● Brushed Matt Black	434520200-76	2x80	200	40	18	-
● Brushed Anthracite	434520200-91	2x80	200	40	18	-
● Brushed Brass	434520350-31	2x160	350	40	18	-
● Inox Look	434520350-66	2x160	350	40	18	-
● Brushed Matt Black	434520350-76	2x160	350	40	18	-
● Brushed Anthracite	434520350-91	2x160	350	40	18	-

**EDGE BOW**

Design Adam Laws
Material Aluminium

Finish	Reference	C/C	L	W	H	Ø
● Inox Look	423920200-66	160	200	41	18	-
● Inox Look	423920350-66	2x160	350	41	18	-

**EDGE ROUND**

Design Adam Laws
Material Aluminium

Finish	Reference	C/C	L	W	H	Ø
● Inox Look	419920040-66	20	40	41	18	-
● Inox Look	419920200-66	2x80	200	41	18	-
● Inox Look	419920350-66	2x160	350	41	18	-



EDGE STRAIGHT

Design Adam Laws
Material Aluminium

Finish	Reference	C/C	L	W	H	Ø
● Bright Chrome	419720040-08	20	40	41	18	-
● Bright Anodized	419720040-12	20	40	41	18	-
● Brass Brushed	419720040-31	20	40	41	18	-
● Antique Brass	419720040-39	20	40	41	18	-
● Inox Look	419720040-66	20	40	41	18	-
● Brushed Matt Black	419720040-76	20	40	41	18	-
● Brushed Rose Gold	419720040-87	20	40	41	18	-
● Brushed Anthracite	419720040-91	20	40	41	18	-
● Antique Bronze	419720040-94	20	40	41	18	-
● Brass Brushed	419720100-31	60	100	41	18	-
● Antique Brass	419720100-39	60	100	41	18	-
● Inox Look	419720100-66	60	100	41	18	-
● Brushed Matt Black	419720100-76	60	100	41	18	-
● Brushed Anthracite	419720100-91	60	100	41	18	-
● Bright Chrome	419720200-08	2x80	200	41	18	-
● Bright Anodized	419720200-12	2x80	200	41	18	-
● Brass Brushed	419720200-31	2x80	200	41	18	-
● Antique Brass	419720200-39	2x80	200	41	18	-
● Inox Look	419720200-66	2x80	200	41	18	-
● Brushed Matt Black	419720200-76	2x80	200	41	18	-
● Brushed Rose Gold	419720200-87	2x80	200	41	18	-
● Brushed Anthracite	419720200-91	2x80	200	41	18	-
● Antique Bronze	419720200-94	2x80	200	41	18	-
● Bright Chrome	419720350-08	2x160	350	41	18	-
● Bright Anodized	419720350-12	2x160	350	41	18	-
● Brass Brushed	419720350-31	2x160	350	41	18	-
● Antique Brass	419720350-39	2x160	350	41	18	-
● Inox Look	419720350-66	2x160	350	41	18	-
● Brushed Matt Black	419720350-76	2x160	350	41	18	-
● Brushed Rose Gold	419720350-87	2x160	350	41	18	-
● Brushed Anthracite	419720350-91	2x160	350	41	18	-
● Antique Bronze	419720350-94	2x160	350	41	18	-
● Brass Brushed	419720600-31	3x160	600	41	18	-
● Inox Look	419720600-66	3x160	600	41	18	-
● Brushed Matt Black	419720600-76	3x160	600	41	18	-
● Brass Brushed	4197201200-31	7x160	1200	41	18	-
● Inox Look	4197201200-66	7x160	1200	41	18	-
● Brushed Matt Black	4197201200-76	7x160	1200	41	18	-



Edge Straight - page 135



EDGE STRAIGHT

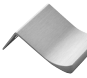
Design Adam Laws
Material Aluminium

Finish	Reference	C/C	L	W	H	Ø
● Matt White	419720040-0500	20	40	41	18	-
○ White w/structure	419720040-S0501	20	40	41	18	-
○ White	419720040-9010	20	40	41	18	-
● Beige	419720040-S2005	20	40	41	18	-
● Dune Grey w/structure	419720040-S2501	20	40	41	18	-
● Grey	419720040-S5000	20	40	41	18	-
● Taupe w/structure	419720040-S5501	20	40	41	18	-
● Foliage Green w/structure	419720040-S6011	20	40	41	18	-
● Anthracite	419720040-S8000	20	40	41	18	-
● Midnight Blue w/structure	419720040-S8011	20	40	41	18	-
● Black w/structure	419720040-S8501	20	40	41	18	-
● Matt White	419720100-0500	60	100	41	18	-
○ White	419720100-9010	60	100	41	18	-
● Beige	419720100-S2005	60	100	41	18	-
● Grey	419720100-S5000	60	100	41	18	-
● Anthracite	419720100-S8000	60	100	41	18	-
● Matt White	419720200-0500	2x80	200	41	18	-
○ White w/structure	419720200-S0501	2x80	200	41	18	-
○ White	419720200-9010	2x80	200	41	18	-
● Beige	419720200-S2005	2x80	200	41	18	-
● Dune Grey w/structure	419720200-S2501	2x80	200	41	18	-
● Grey	419720200-S5000	2x80	200	41	18	-
● Taupe w/structure	419720200-S5501	2x80	200	41	18	-
● Foliage Green w/structure	419720200-S6011	2x80	200	41	18	-
● Anthracite	419720200-S8000	2x80	200	41	18	-
● Midnight Blue w/structure	419720200-S8011	2x80	200	41	18	-
● Black w/structure	419720200-S8501	2x80	200	41	18	-
● Matt White	419720350-0500	2x160	350	41	18	-
○ White	419720350-9010	2x160	350	41	18	-
● Beige	419720350-S2005	2x160	350	41	18	-
● Grey	419720350-S5000	2x160	350	41	18	-
● Anthracite	419720350-S8000	2x160	350	41	18	-
● Matt White	419720600-0500	3x160	600	41	18	-
● Matt White	4197201200-0500	7x160	1200	41	18	-

EDGE STRAIGHT UPWARDS

Design Adam Laws
Material Aluminium


Finish	Reference	C/C	L	W	H	Ø
● Inox Look	435920040-66	20	40	41	-	-



PATINA

Design furnipart
Material Lead-Free Brass


Finish	Reference	C/C	L	W	H	Ø
● Untreated Brass	242430045-15	30	45	40	19	-
● Untreated Brass	242430120-15	96	120	40	19	-



PLINTH

Design furnipart
Material Stainless Steel

Finish	Reference	C/C	L	W	H	Ø
● Silk Polished	229030096-25	96	120	40	20	-
● Silk Polished	229030128-25	128	160	45	25	-

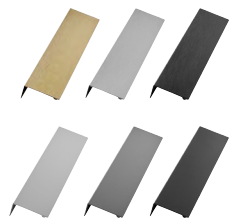



Patina - page 136

SHEET

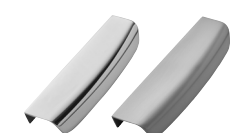
Design kaschkasch
Material Aluminium

Finish	Reference	C/C	L	W	H	Ø
● Brushed Brass	446620060-31	32	60	45	21	-
● Inox Look	446620060-66	32	60	45	21	-
● Matt Black	446620060-76	32	60	45	21	-
● Beige	446620060-S2005	32	60	45	21	-
● Grey	446620060-S5000	32	60	45	21	-
● Anthracite	446620060-S8000	32	60	45	21	-
● Brushed Brass	446620200-31	160	200	45	21	-
● Inox Look	446620200-66	160	200	45	21	-
● Matt Black	446620200-76	160	200	45	21	-
● Beige	446620200-S2005	160	200	45	21	-
● Grey	446620200-S5000	160	200	45	21	-
● Anthracite	446620200-S8000	160	200	45	21	-

**WOW**

Design furnipart
Material Zamac

Finish	Reference	C/C	L	W	H	Ø
● Bright Chrome	534660064-08	64	96	42	20	-
● Inox Look	534660064-66	64	96	42	20	-
● Bright Chrome	534660160-08	160	192	42	20	-
● Inox Look	534660160-66	160	192	42	20	-
● Inox Look	534660256-66	256	320	42	20	-



our sustainable journey

It was in 2018 that furnipart took its journey towards a more sustainable production to a whole new level. We are well aware that our knobs and handles alone cannot save the world, but we are taking small steps in the right direction and proving to ourselves and to the industry in general that there are different ways of doing things.

Through our business procedures, we are committed to demonstrating that sustainability can easily become a natural part of a visionary enterprise. Not because it boosts turnover, but because it is the right thing to do.



OCEANIX RECYCLED PLASTIC

The world's waterways are seeing an increasing problem with plastic waste. The plastic waste contaminating the waterways escape the circularity routes mainly because of poor waste management. When plastic waste is not being recycled, virgin plastic has to be produced with a subsequent increase in CO2 emissions.



Plato in OceanIX - page 196



PLASTIX is a small company in Lemvig in Denmark, and through their unique and groundbreaking technology they have made it possible to recycle plastic from the maritime industry, like discarded and obsolete fishing gear, ropes, trawls etc. PLASTIX receives these disused materials and after a cleansing process the items are made into plastic granulates which can then be moulded into new products, like our OceanIX handles.

We are passionate about making positive change happen now, rather than letting it pass us by. This is how and why we began developing handles using the OceanIX material.



PLATO & SQUARE

It's part of furnipart's DNA to be innovative and curious, and we just think it's interesting and exciting to explore new materials and methods. Like with all new products, the journey towards producing our OceanIX handles begins in our product development department.

The OceanIX plastic granulates supplied from PLASTIX are moulded into our two well-known designs from the furnipart range, Square and Plato. This process takes place at the company Vink, which is located only 10km from our headquarters. When the handles have passed the quality-control carried out at our warehouse, they are packaged using bio-degradable plastic bags at a local packaging company and are now ready to be supplied worldwide.

We feel very strongly about not contributing any further contaminants back into the environment when developing our plastic handles, and OceanIX from PLASTIX fulfilled this requirement perfectly. The handles in OceanIX can be further recycled and hence re-enter new product cycles.





Plato OceanIX (page 196), Square OceanIX (page 78)

FSC™

A majority of furnipart's wooden handles are FSC certified. This means these handles are made with wood from well-managed forests. FSC, which stands for 'Forest Stewardship Council™', is an international non-profit organisation dedicated to promoting responsible forestry.

FSC certifies forests all over the world to ensure they meet the highest environmental and social standards. When you buy our FSC certified products, you can be confident they won't harm the world's forests.

For more info on what products carry the FSC certification please contact us.



The mark of responsible forestry

OUR WOODEN HANDLES

The warmth and softness of wood makes it the perfect material to contrast perfectly with the manmade everyday items that surround us. Rather than the design driving what material we use, the use of wood means that the material defines the design, and this is evident in how we utilise the woodgrain to emphasise the natural flowing lines of our products.

However, for furnipart to use wood with a clear conscience, we must recognise that wood is a scarce resource and therefore there are certain demands and criteria that must be adhered to. By using FSC certified wood, it means we can trace the timber back to its source of responsible forestry. Preferred by Nature, which is a third party FSC accredited certification body, has visited us several times to assess the wood we use and examine the finished products all the way down to the handling in our warehouse.

All this being said, we at furnipart are happy and proud to announce that a majority of furnipart's wooden handles are FSC certified.



Join - page 48

CRADLE TO CRADLE

All our chrome and anodised aluminium profiles have been certified to bronze level under the Cradle to Cradle Certified® Product Standard since 2018. The assessment procedure is carried out by the Danish assessor Vugge til Vugge ApS. As a part of the assessment, inspectors visit our production facilities to evaluate and document the sustainability of our products. The Cradle to Cradle Certified® Product Standard is based on stringent screening requirements, and every step in our process to manufacture aluminium profiles has been thoroughly examined and documented.

As well as the Cradle-to-Cradle Certification® of all our aluminium profiles, we are happy to announce that as of March 2022 all our zamac products in Inox Look and Matt Black produced at our main production sites have now been certified to bronze level under the Cradle to Cradle Certified® Product Standard. This means 75% of the entire furnipart catalogue is now Cradle to Cradle Certified®. We have specifically focused on the certification of the Inox Look (-66) and Matt Black (-99) items as these two colours are the most popular across all our ranges.

The Cradle to Cradle Certified® Product Standard adopts a different perspective on design and production. Instead of following the traditional view that products should be sustainable from cradle to grave, the new approach rates products according to the extent to which they can be safely assimilated into new life cycles when they no longer fulfil their original purpose. This is why we are particularly pleased to have been awarded this certification. In the long term, we are committed to making a contribution that is actively positive – rather than simply “less negative”.



ALUMINIUM PROFILES

The following parameters have been assessed and given a score (from Bronze to Platinum):

Material Health

All chemicals have been assessed according to how they influence both humans and the environment. The aim is to make the products as safe as possible for both.
- **Bronze**

Material Reutilization

Our products' ability to re-enter new product life cycles have been assessed. The aim is to eliminate waste and have products entering perpetual cycles instead.
- **Gold**

Renewable Energy & Carbon Management

Vugge til Vugge ApS have looked at the extent to which we use renewable energy at our productions to either reduce or ideally eliminate the impact of climate changing greenhouse gases.
- **Gold**

Water Stewardship

The quality of effluent has been assessed through a facility-wide water audit. The aim is to have effluent with drinking water quality.
- **Silver**

Social Fairness

Our ability to live up to known standards for social responsibility has been assessed. The aim is to ensure good working conditions at our productions and all parts of the supply chain.
- **Gold**

	BASIC	BRONZE	SILVER	GOLD	PLATINUM
MATERIAL HEALTH		●			
MATERIAL REUTILIZATION				●	
RENEWABLE ENERGY				●	
WATER STEWARDSHIP			●		
SOCIAL FAIRNESS				●	

ZAMAC HANDLES

The following parameters have been assessed and given a score (from Bronze to Platinum):

Material Health

All chemicals have been assessed according to how they influence both humans and the environment. The aim is to make the products as safe as possible for both.
- **Bronze**

Material Reutilization

Our products' ability to re-enter new product life cycles have been assessed. The aim is to eliminate waste and have products entering perpetual cycles instead.
- **Gold**

Renewable Energy & Carbon Management

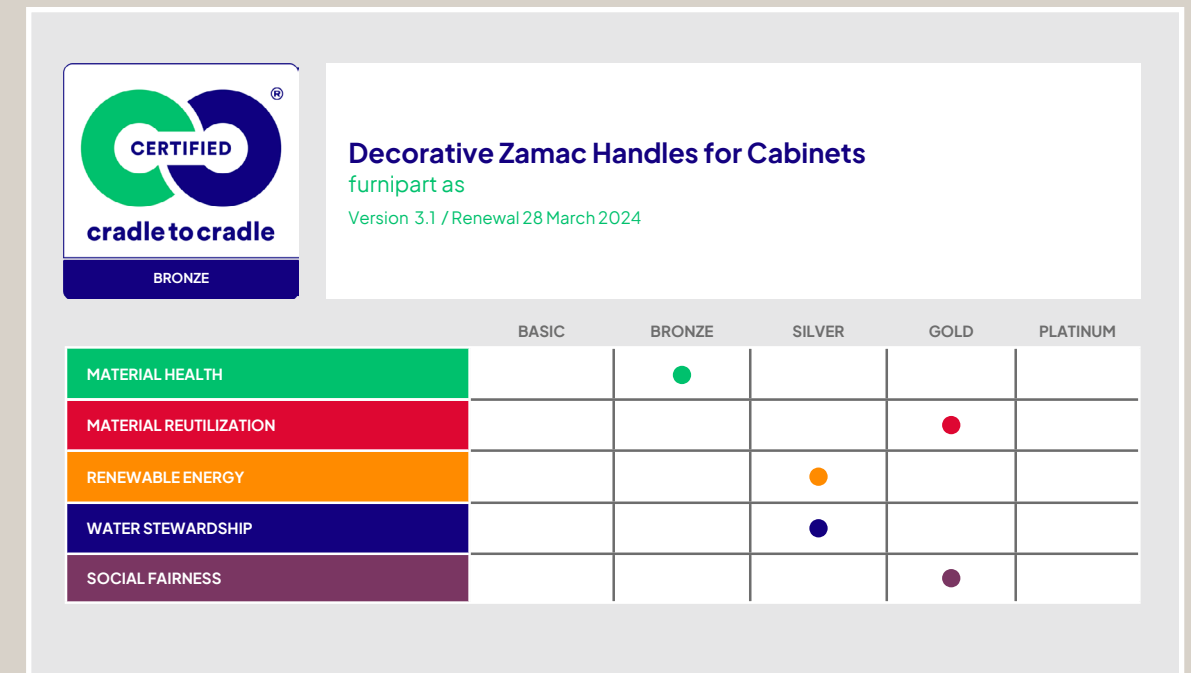
Vugge til Vugge ApS have looked at the extent to which we use renewable energy at our productions to either reduce or ideally eliminate the impact of climate changing greenhouse gases.
- **Silver**

Water Stewardship

The quality of effluent has been assessed through a facility-wide water audit. The aim is to have effluent with drinking water quality.
- **Silver**

Social Fairness

Our ability to live up to known standards for social responsibility has been assessed. The aim is to ensure good working conditions at our productions and all parts of the supply chain.
- **Gold**



our knobs

A knob can be a complimentary companion to a handle, or an eye-catching feature all on its own. Like the rest of our range, all our knobs combine unparalleled design with a functional presence.

AUTUMN

Design VE2
Material Zamac

Finish	Reference	C/C	L	W	H	Ø
● Polished Brass	541060028-29	-	-	-	27	28
● Inox Look	541060028-66	-	-	-	27	28
● Matt Black	541060028-99	-	-	-	27	28
● Inox Look	541060036-66	-	-	-	34	36
● Matt Black	541060036-99	-	-	-	34	36



*matching handle FLAT - page 41

BALANCE

Design VE2
Material Zamac

Finish	Reference	C/C	L	W	H	Ø
● Inox Look	546860090-66	-	90	18	37	-
● Matt Black	546860090-99	-	90	18	37	-

**BANISTER**

Design furnipart
Material Zamac

Finish	Reference	C/C	L	W	H	Ø
● Antique Brown	533960033-23	-	-	-	43	33
● Inox Look	533960033-66	-	-	-	43	33

**BEAD STRAIGHT**

Design VE2
Material Stainless Steel / Marble

Finish	Reference	C/C	L	W	H	Ø
● Green	242035028-25/GM	-	-	-	35	28
● White	242035028-25/WC	-	-	-	35	28



BELL

Design Hans Sandgren Jakobsen
Material Zamac

Finish	Reference	C/C	L	W	H	Ø
● Antique Grey	540860042-22	-	-	-	32	42
● Antique Brown	540860042-23	-	-	-	32	42
● Inox Look	540860042-66	-	-	-	32	42
● Matt Black	540860042-99	-	-	-	32	42



BERET

Design kaschkasch
Material Wood FSC 100%



Finish	Reference	C/C	L	W	H	Ø
● Oak Lacq.	10289004-052	-	-	-	21	45
● Black Oak	10289004-992	-	-	-	21	45



BIS

Design Meneghello Paoelli
Material Wood FSC 100% / Zamac



Finish	Reference	C/C	L	W	H	Ø
● Oak Lacq./ Matt White	554420024-052/0500	-	-	-	28	24
● Oak Lacq./ Bright Chrome	554420024-052/08	-	-	-	28	24
● Oak Lacq./ Matt Black	554420024-052/99	-	-	-	28	24
● Black Oak/ Matt Black	554420024-992/99	-	-	-	28	24



*matching handle BIS - page 16

BOUNCE

Design Steffensen & Würtz
Material Zamac

Finish	Reference	C/C	L	W	H	Ø
● Inox Look	546760016-66	-	-	-	34	16
● Matt Black	546760016-99	-	-	-	34	16



*matching handle BOUNCE - page 19



Chateau - page 167

BYTE

Design furnipart
Material Stainless Steel

Finish	Reference	C/C	L	W	H	Ø
● Silk Polished	225230019-25	-	19	19	25	-

**CANE**

Design furnipart
Material Steel

Finish	Reference	C/C	L	W	H	Ø
● Silk Polished	217710022-25	-	-	-	28	22

**CASTLE**

Design furnipart
Material Zamac

Finish	Reference	C/C	L	W	H	Ø
● Antique Grey	536660038-22	-	-	-	36	38
● Antique Brown	536660038-23	-	-	-	36	38
● Brushed Gold	536660038-33	-	-	-	36	38
● Inox Look	536660038-66	-	-	-	36	38

**CHATEAU**

Design Kamper Form
Material Zamac

Finish	Reference	C/C	L	W	H	Ø
● Antique Brown	555120030-23	-	-	-	30	30
● Dark Brushed Gold	555120030-35	-	-	-	30	30
● Inox Look	555120030-66	-	-	-	30	30



*matching handle CHATEAU - page 22

CHATEAU

Design Kamper Form
Material Zamac

Finish	Reference	C/C	L	W	H	Ø
● Antique Brown	555220052-23	-	52	18	30	-
● Dark Brushed Gold	555220052-35	-	52	18	30	-
● Inox Look	555220052-66	-	52	18	30	-



*matching handle CHATEAU - page 22

CIRCLE

Design VE2
Material Zamac

Finish	Reference	C/C	L	W	H	Ø
● Antique Brown	555520050-23	-	-	-	24	50
● Dark Brushed Gold	555520050-35	-	-	-	24	50
● Inox Look	555520050-66	-	-	-	24	50



CIRCLE WOOD

Design VE2
Material Wood FSC 100%



Finish	Reference	C/C	L	W	H	Ø
● Oak Lacq.	103820050-052	-	-	-	24	50
● Dark Brown Oak	103820050-056	-	-	-	24	50
● Black Oak	103820050-992	-	-	-	24	50



CLASSIC

Design Kamper Form
Material Zamac

Finish	Reference	C/C	L	W	H	Ø
● Antique Grey	536460034-22	-	-	-	28	34
● Antique Brown	536460034-23	-	-	-	28	34
● Inox Look	536460034-66	-	-	-	28	34
● Antique Copper	536460034-98	-	-	-	28	34



*matching handle CLASSIC - page 22



Equester Cup - page 34



D-Lite - page 29 & 174



CURTAIN

Design furnipart
Material Stainless Steel

Finish	Reference	C/C	L	W	H	Ø
● Silk Polished	224240050-25	-	50	-	40	20



CROSSING

Design kaschkasch
Material Wood FSC 100% / Zamac



Finish	Reference	C/C	L	W	H	Ø
● Oak Lacq./ Matt Black	102990050-052/99	-	50	11	39	-
● Black Oak/ Matt Black	102990050-992/99	-	50	11	39	-



*matching handle CROSSING - page 25

DELTA

Design Meneghello Paoletti
Material Zamac

Finish	Reference	C/C	L	W	H	Ø
● Inox Look	554720023-66	-	44	24	36	23
● Matt Black	554720023-99	-	44	24	36	23

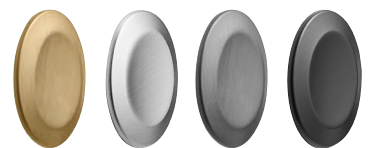


*matching handle DELTA - page 26

DISC

Design Steffensen & Würtz
Material Zamac

Finish	Reference	C/C	L	W	H	Ø
● Brushed Brass	550120035-32	-	-	-	3	35
● Inox Look	550120035-66	-	-	-	3	35
● Brushed Anthracite	550120035-91	-	-	-	3	35
● Matt Black	550120035-99	-	-	-	3	35



D-LITE

Design Adam Laws
Material Zamac

Finish	Reference	C/C	L	W	H	Ø
● Bright Nickel	552120032-06	32	44	12	32	-
● Gold	552120032-34	32	44	12	32	-
● Matt Black	552120032-99	32	44	12	32	-



*matching handle D-LITE - page 29

DOME

Design VE2
Material Zamac

Finish	Reference	C/C	L	W	H	Ø
● Brushed Brass	546960050-32	-	50	36	26	-
● Inox Look	546960050-66	-	50	36	26	-
● Matt Black	546960050-99	-	50	36	26	-



DOT

Design Hans Sandgren Jakobsen
Material Zamac / Lead-Free Brass

Finish	Reference	C/C	L	W	H	Ø
● Bright Chrome	511360030-08	-	-	-	26	30
● Inox Look	511360030-66	-	-	-	26	30
● Untreated Brass Polished	242530030-15	-	-	-	26	30



DRUM

Design Adam Laws
Material Zamac/Leather

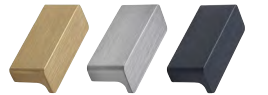
Finish	Reference	C/C	L	W	H	Ø
● Black/ Inox Look	543360032-102/66	32	40	15	31	33
● Black/Black	543360032-102/9005	32	40	15	31	33



ELAN

Design VE2
Material Aluminium

Finish	Reference	C/C	L	W	H	Ø
● Brushed Brass	453320032-31	32	50	20	18	-
● Inox Look	453320032-66	32	50	20	18	-
● Brushed Matt Black	453320032-76	32	50	20	18	-



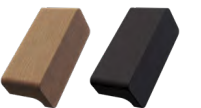
*matching handle ELAN - page 30

ELAN WOOD

Design VE2
Material Wood FSC 100%



Finish	Reference	C/C	L	W	H	Ø
● Oak Lacq.	104420032-052	32	50	22	20	-
● Dark Brown Oak	104420032-056	32	50	22	20	-

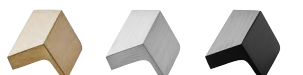


*matching handle ELAN - page 30

ENVELOPE

Design VE2
Material Aluminium

Finish	Reference	C/C	L	W	H	Ø
● Brushed Brass	449220032-31	32	50	24	25	-
● Inox Look	449220032-66	32	50	24	25	-
● Matt Black	449220032-76	32	50	24	25	-



*matching handle ENVELOPE - page 33

FALL

Design VE2
Material Aluminium

Finish	Reference	C/C	L	W	H	Ø
● Inox Look	434320016-66	16	28	20	30	-
● Brushed Matt Black	434320016-76	16	28	20	30	-
● Antique Bronze	434320016-94	16	28	20	30	-




*matching handle FALL - page 34

FLEUR

Design Kamper Form
Material Cast Iron


Finish	Reference	C/C	L	W	H	Ø
● Black	300030046-9005	-	-	-	30	46



GATE

Design Adam Laws
Material Zamac

Finish	Reference	C/C	L	W	H	Ø
● Antique Brass	549820018-39	-	-	-	23	18
● Inox Look	549820018-66	-	-	-	23	18
● Matt Black	549820018-99	-	-	-	23	18




*matching handle GATE - page 42

GLOVE

Design kaschkasch
Material Wood FSC 100%



Finish	Reference	C/C	L	W	H	Ø
● Oak Lacq.	103190032-052	32	55	24	26	-
● Black Oak	103190032-992	32	55	24	26	-

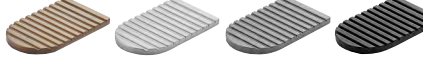


*matching handle GLOVE - page 42

HABIT

Design Steffensen & Würtz
Material Zamac


Finish	Reference	C/C	L	W	H	Ø
● Brushed Brass	547320050-32	-	50	30	4	-
● Inox Look	547320050-66	-	50	30	4	-
● Brushed Anthracite	547320050-91	-	50	30	4	-
● Matt Black	547320050-99	-	50	30	4	-



HARLEQUIN

Design Meneghello Paoelli
Material Stainless Steel

Finish	Reference	C/C	L	W	H	Ø
● Silk Polished	240730017-25	-	-	24	33	17
● Black	240730017-9005	-	-	24	33	17




HERITAGE

Design Kamper Form
Material Zamac

Finish	Reference	C/C	L	W	H	Ø
● Bright Nickel	554920016-06	16	36	20	31	-
● Brushed Brass	554920016-32	16	36	20	31	-
● Gun-Metal	554920016-74	16	36	20	31	-



*matching handle HERITAGE - page 45

HEXA

Design Rikke Frost
Material Zamac

Finish	Reference	C/C	L	W	H	Ø
● Antique Brass	550420024-39	-	-	24	29	27
● Inox Look	550420024-66	-	-	24	29	27
● Matt Black	550420024-99	-	-	24	29	27



*matching handle HEXA - page 45

HORIZON SMALL

Design Adam Laws
Material Zamac

Finish	Reference	C/C	L	W	H	Ø
● Brushed Brass	553120032-32	32	80	40	27	-
● Matt White	553120032-0500	32	80	40	27	-
● Matt Black	553120032-99	32	80	40	27	-



*matching handle HORIZON LARGE - page 45

HORIZON SMALL WOOD

Design Adam Laws
Material Wood FSC 100%



Finish	Reference	C/C	L	W	H	Ø
● Oak Lacq.	104220032-052	32	80	28	40	-
● Dark Brown Oak	104220032-056	32	80	28	40	-



*matching handle HORIZON LARGE - page 48





Leaf - page 186



INK

Design kaschkasch
Material Cast Iron

Finish	Reference	C/C	L	W	H	Ø
● Black	300040032-9005	32	64	32	30	-



INSIDE

Design kaschkasch
Material Aluminium

Finish	Reference	C/C	L	W	H	Ø
● Inox Look	454220032-66	32	40	14	32	-
● Black	454220032-9005	32	40	14	32	-



*matching handle INSIDE - page 48

JOIN

Design kaschkasch
Material Wood FSC 100%



Finish	Reference	C/C	L	W	H	Ø
● Oak Lacq.	103290016-052	16	80	13	36	-

*matching handle JOIN - page 48



KNOT

Design furnipart
Material Stainless Steel

Finish	Reference	C/C	L	W	H	Ø
● Silk Polished	238030075-25	-	75	-	44	12
● Black	238030075-9005	-	75	-	44	12



LEAF

Design VE2
Material Zamac

Finish	Reference	C/C	L	W	H	Ø
● Brushed Brass	555430032-32	32	43	20	85	-
● Matt Black	555430032-99	32	43	20	85	-

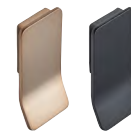


*matching handle LEAF - page 51

LEAF

Design VE2
Material Zamac

Finish	Reference	C/C	L	W	H	Ø
● Brushed Brass	555420064-32	64	85	20	43	-
● Matt Black	555420064-99	64	85	20	43	-



*matching handle LEAF - page 51

LUCK

Design kaschkasch
Material Zamac

Finish	Reference	C/C	L	W	H	Ø
● Brushed Gold	544560032-33	32	41	8	40	-
● Inox Look	544560032-66	32	41	8	40	-
● Black	544560032-9005	32	41	8	40	-



*matching handle LUCK - page 52

MANOR ROUND

Design Kamper Form
Material Zamac

Finish	Reference	C/C	L	W	H	Ø
● Gold	549220025-34	-	-	-	35	30
● Antique Brass	549220025-39	-	-	-	35	30
● Inox Look	549220025-66	-	-	-	35	30
● Matt Black	549220025-99	-	-	-	35	30



*matching handle MANOR - page 55



Manor T (page 189), Delta (page 173), Chateau (page 168), Curtain (page 173), Balance (page 163), Knot (page 185)



Manor T - page 189

MANOR T

Design Kamper Form
Material Zamac

Finish	Reference	C/C	L	W	H	Ø
● Gold	549120054-34	-	54	-	39	30
● Antique Brass	549120054-39	-	54	-	39	30
● Inox Look	549120054-66	-	54	-	39	30
● Matt Black	549120054-99	-	54	-	39	30



*matching handle MANOR BACK - page 56

MERCURY

Design Kamper Form
Material Zamac

Finish	Reference	C/C	L	W	H	Ø
● Antique Brown	536360016-23	16	54	16	32	-



*matching handle MERCURY - page 56

MONTE ROUND

Design VE2
Material Marble

Finish	Reference	C/C	L	W	H	Ø
● White	800020035-WC	-	-	-	20	35



*matching handle MONTE - page 59

MOTION

Design Steffensen & Würtz
Material Cast Iron

Finish	Reference	C/C	L	W	H	Ø
● Black	300090022-9005	-	-	-	31	22




*matching handle MOTION - page 59

ORBIT

Design VE2
Material Zamac


Finish	Reference	C/C	L	W	H	Ø
● Inox Look	550820036-66	-	-	-	22	36
● Matt Black	550820036-99	-	-	-	22	36



OVAL

Design furnipart
Material Zamac


Finish	Reference	C/C	L	W	H	Ø
● Inox Look	514960060-66	-	60	35	38	-
● Antique Gold	514960060-91T	-	60	35	38	-
● Antique Black Brass	514960060-93	-	60	35	38	-
● Matt Black	514960060-99	-	60	35	38	-



OVAL SIMPLE

Design furnipart
Material Zamac

Finish	Reference	C/C	L	W	H	Ø
● Antique Grey	525060060-22-P	-	60	35	38	26
● Antique Brown	525060060-23-P	-	60	35	38	26
● Inox Look	525060060-66	-	60	35	38	26
● Matt Black	525060060-99-P	-	60	35	38	26

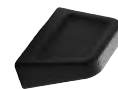


PAGODA

Design Kamper Form
Material Cast Iron

Finish	Reference	C/C	L	W	H	Ø
● Black	300060032-9005	32	44	13	33	-

*matching handle PAGODA - page 64





Horizon Large - page 45



D-Lite - page 29



Guild - page 42



Disc - page 173

PILLAR

Design Steffensen & Würtz
Material Zamac

Finish	Reference	C/C	L	W	H	Ø
● Matt Black	547720015-99	-	-	-	33	15

*matching handle PILLAR - page 64



PLATO

Design Hans Sandgren Jakobsen
Material Aluminium

Finish	Reference	C/C	L	W	H	Ø
○ Matt White	441320042-0500	-	-	-	24	42
● Brushed Brass	441320042-31	-	-	-	24	42
○ Inox Look	441320042-66	-	-	-	24	42
● Brushed Matt Black	441320042-76	-	-	-	24	42
● Brushed Anthracite	441320042-91	-	-	-	24	42

*matching handle SQUARE 10 - page 78

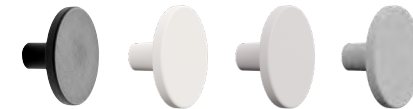


PLATO OCEANIX

Design Hans Sandgren Jakobsen
Material OceanIX Recycled Plastic

Finish	Reference	C/C	L	W	H	Ø
● Dyed Black	700010042-86	-	-	-	24	42
○ White	700010042-1001-N	-	-	-	24	42
● Beige	700010042-1505-Y70R	-	-	-	24	42
● Grey	700010042-S5000	-	-	-	24	42

*matching handle SQUARE 10 - page 78



POINT

Design VE2
Material Zamac

Finish	Reference	C/C	L	W	H	Ø
● Brushed Gold	544960028-33	-	-	-	25	28
○ Inox Look	544960028-66	-	-	-	25	28
● Matt Black	544960028-99	-	-	-	25	28





PULLEY

Design kaschkasch
Material Wood FSC 100%



Finish	Reference	C/C	L	W	H	Ø
● Oak Lacq.	103390045-052	-	-	-	22	45
● Black Oak	103390045-992	-	-	-	22	45



PUNCH

Design Adam Laws
Material Aluminium

Finish	Reference	C/C	L	W	H	Ø
● Brushed Brass	449420016-31	16	31	48	18	-
● Inox Look	449420016-66	16	31	48	18	-
● Brushed Matt Black	449420016-76	16	31	48	18	-



SCOPE

Design Rikke Frost
Material Zamac

Finish	Reference	C/C	L	W	H	Ø
● Inox Look	543060016-66	-	30	-	20	16
● Black	543060016-9005	-	30	-	20	16



*matching handle SCOPE - page 72

SIMON

Design furnipart
Material Steel

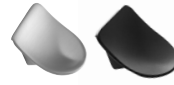
Finish	Reference	C/C	L	W	H	Ø
● Antique Brass	241930035-39	-	-	-	29	35
● Inox Look	241930035-66	-	-	-	29	35
● Black Powder Coated	241930035-9005E	-	-	-	29	35



SLOPE

Design kaschkasch
Material Zamac

Finish	Reference	C/C	L	W	H	Ø
● Inox Look	550320016-66	16	35	25	31	-
● Matt Black	550320016-99	16	35	25	31	-



*matching handle SLOPE - page 77

STATION

Design Kamper Form
Material Aluminium

Finish	Reference	C/C	L	W	H	Ø
● Brushed Brass	437620032-31	32	44	22	25	-
● Inox Look	437620032-66	32	44	22	25	-
● Brushed Matt Black	437620032-76	32	44	22	25	-



*matching handle STATION - page 82

STRAP

Design Adam Laws
Material Zamac/Leather

Finish	Reference	C/C	L	W	H	Ø
● Black	545560016-102/66	16	31	24	57	-
● Dark Brown/Inox Look	545560016-104/66	16	31	24	57	-
● Cognac/Inox Look	545560016-105/66	16	31	24	57	-
● Black/Black	545560016-102/9005	16	31	24	57	-
● Cognac/Black	545560016-105/9005	16	31	24	57	-



TAU

Design VE2
Material Aluminium

Finish	Reference	C/C	L	W	H	Ø
● Brushed Brass	446320032-31	32	126	10	25	-
● Inox Look	446320032-66	32	126	10	25	-
● Brushed Matt Black	446320032-76	32	126	10	25	-
● Brushed Anthracite	446320032-91	32	126	10	25	-



*matching handle TAU - page 85





TUMBLER

Design furnipart

Material Lead-Free Brass

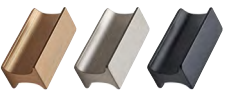
Finish	Reference	C/C	L	W	H	Ø
● Untreated Brass Polished	242230021-15	-	-	-	26	21

**TRACK**

Design Meneghello Paoelli

Material Aluminium

Finish	Reference	C/C	L	W	H	Ø
● Brushed Brass	457020032-31	32	50	19	24	-
● Inox Look	457020032-66	32	50	19	24	-
● Brushed Matt Black	457020032-76	32	50	19	24	-
● Brushed Brass	457020160-31	160	200	19	24	-
● Inox Look	457020160-66	160	200	19	24	-
● Brushed Matt Black	457020160-76	160	200	19	24	-



*matching handle TRACK - page 88

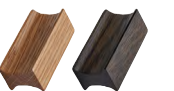
TRACK WOOD

Design Meneghello Paoelli

Material Wood FSC 100%



Finish	Reference	C/C	L	W	H	Ø
● Oak Lacq.	103720032-052	32	50	19	24	-
● Dark Brown Oak	103720032-056	32	50	19	24	-
● Oak Lacq.	103720160-052	160	200	19	24	-
● Dark Brown Oak	103720160-056	160	200	19	24	-



*matching handle TRACK - page 88

TRANSIT

Design VE2

Material Zamac

Finish	Reference	C/C	L	W	H	Ø
● Inox Look	550720016-66	16	25	32	24	-
● Matt Black	550720016-99	16	25	32	24	-



*matching handle TRANSIT - page 88



Glove - page 178

UNIFY

Design Meneghello Paoelli
Material Zamac

Finish	Reference	C/C	L	W	H	Ø
● Inox Look	554520032-66	32	42	12	34	-
● Gun-Metal	554520032-74	32	42	12	34	-
● Matt Black	554520032-99	32	42	12	34	-



*matching handle UNIFY - page 91

VANILLA

Design Kamper Form
Material Ceramic

Finish	Reference	C/C	L	W	H	Ø
○ White	601201016-0	16	50	30	26	-



*matching handle VANILLA - page 91

VILLA ROUND

Design Kamper Form
Material Zamac

Finish	Reference	C/C	L	W	H	Ø
● Bright Nickel	552920030-06	64	100	30	20	30
● Antique Brown	552920030-23	64	100	30	20	30
● Black Nickel	552920030-70	64	100	30	20	30
● Gun-Metal	552920030-74	64	100	30	20	30



*matching handle VILLA - page 92

VILLA T

Design Kamper Form
Material Zamac

Finish	Reference	C/C	L	W	H	Ø
● Bright Nickel	553030050-06	-	50	20	34	-
● Antique Brown	553030050-23	-	50	20	34	-
● Black Nickel	553030050-70	-	50	20	34	-
● Gun-Metal	553030050-74	-	50	20	34	-



*matching handle VILLA - page 92



VOTE

Design VE2
Material Zamac

Finish	Reference	C/C	L	W	H	Ø
● Inox Look	531360040-66	-	-	-	37	40

**ZEPPELIN**

Design furnipart
Material Zamac

Finish	Reference	C/C	L	W	H	Ø
● Bright Chrome	530460053-08/OR	-	52	21	40	-
● Antique Grey	530460053-22/OR	-	52	21	40	-
● Inox Look	530460053-66/OR	-	52	21	40	-
● Matt Black	530460053-99/OR	-	52	21	40	-



our recessed handles

Recessed handles offer a unique visual identity to kitchens, bathrooms and furniture around the home. Dependant on how these are used, our recessed handles can be an unassuming element of your design, or a feature for all to see.

BACK

Design furnipart
Material Zamac

Finish	Reference	C/C	L	W	H	Ø
● Inox Look	515560064-66S	64	112	16	20	-
● Inox Look	515560128-66S	128	200	15	20	-

**FLUSH**

Design furnipart
Material Zamac

Finish	Reference	C/C	L	W	H	Ø
● Inox Look	513660032-66	32	58	-	-	-



Tub Round - page 219

INN 50X50

Design furnipart
Material Zamac

Finish	Reference	C/C	L	W	H	Ø
● Matt Chrome	512160050-09	-	50	50	12	-
● Inox Look	512160050-66	-	50	50	12	-

**INN 70X120**

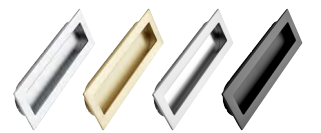
Design furnipart
Material Zamac

Finish	Reference	C/C	L	W	H	Ø
● Matt Chrome	512160120-09	-	120	70	12	-
● Inox Look	512160120-66	-	120	70	12	-

**INN 50X160**

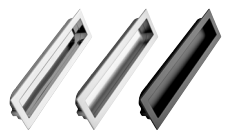
Design furnipart
Material Zamac

Finish	Reference	C/C	L	W	H	Ø
● Matt Chrome	512160160-09	-	160	50	12	-
● Brushed Gold	512160160-33	-	160	50	12	-
● Inox Look	512160160-66	-	160	50	12	-
● Matt Black	512160160-99	-	160	50	12	-

**INN 50X202**

Design furnipart
Material Zamac

Finish	Reference	C/C	L	W	H	Ø
● Bright Chrome	512160192-08	192	202	50	14	-
● Inox Look	512160192-66	192	202	50	14	-
● Matt Black	512160192-99	192	202	50	14	-



LETTERBOX

Design furnipart
Material Stainless Steel

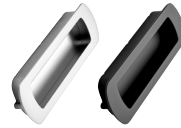
Finish	Reference	C/C	L	W	H	Ø
● Silk Polished	220430120-25	-	120	41	14	-



LUX

Design VE2
Material Zamac

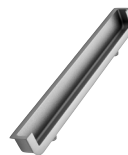
Finish	Reference	C/C	L	W	H	Ø
● Inox Look	532160128-66	128	144	46	16	-
● Matt Black	532160128-99	128	144	46	16	-
● Inox Look	532160192-66	192	208	46	16	-
● Matt Black	532160192-99	192	208	46	16	-



POCKET

Design furnipart
Material Zamac

Finish	Reference	C/C	L	W	H	Ø
● Inox Look	535260128-66S	128	200	17	25	-





ROUND

Design furnipart
Material Stainless Steel

Finish	Reference	C/C	L	W	H	Ø
● Silk Polished	220230050-25	-	50	50	13	50
● Silk Polished	220230065-25	-	65	65	16	65



SQUARE

Design furnipart
Material Stainless Steel

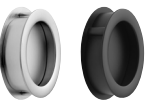
Finish	Reference	C/C	L	W	H	Ø
● Silk Polished	220530102-25	-	102	50	13	-



TUB ROUND

Design Adam Laws
Material Zamac

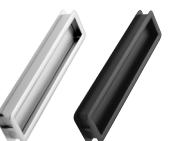
Finish	Reference	C/C	L	W	H	Ø
● Inox Look	552620065-66	52	65	-	19	65
● Matt Black	552620065-99	52	65	-	19	65



TUB STRAIGHT

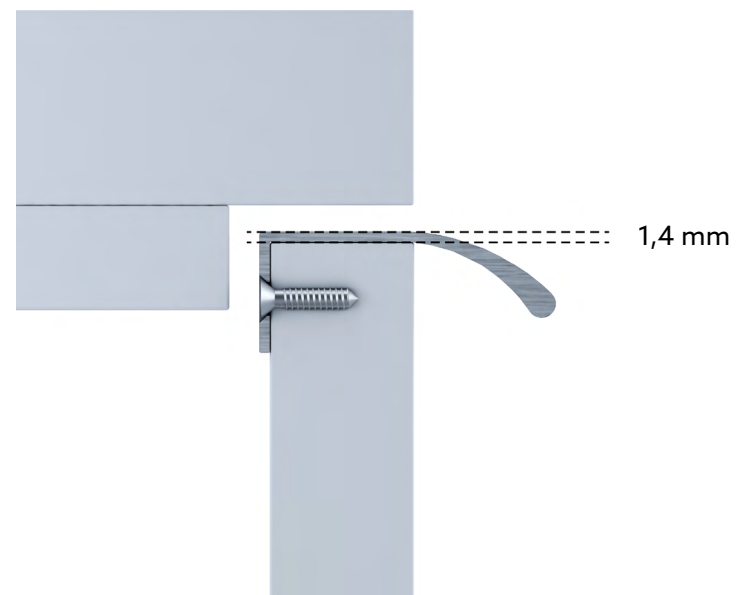
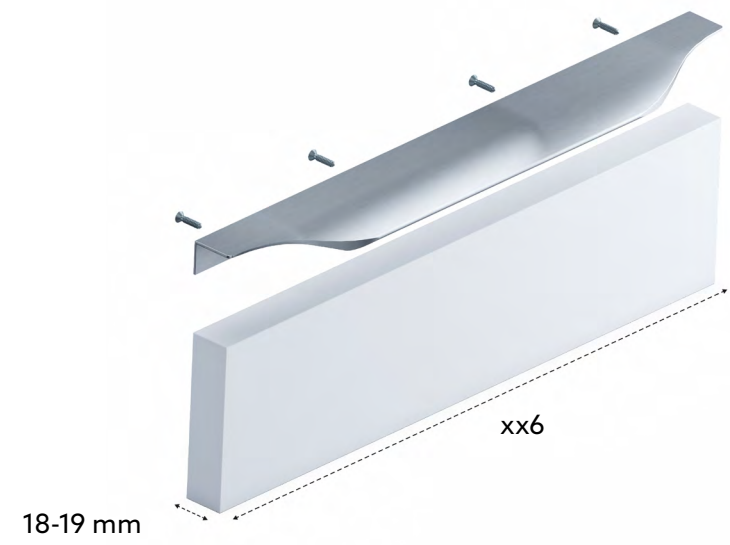
Design Adam Laws
Material Zamac

Finish	Reference	C/C	L	W	H	Ø
● Inox Look	552720202-66	190	202	49	19	-
● Matt Black	552720202-99	190	202	49	19	-



profile
rear
mounted
edge
to edge

Profiles running from edge to edge contribute to a special rhythm and harmony when mounted. The simplicity of its strict expression provides well-balanced proportions that make these profiles extremely versatile.



JAZZ

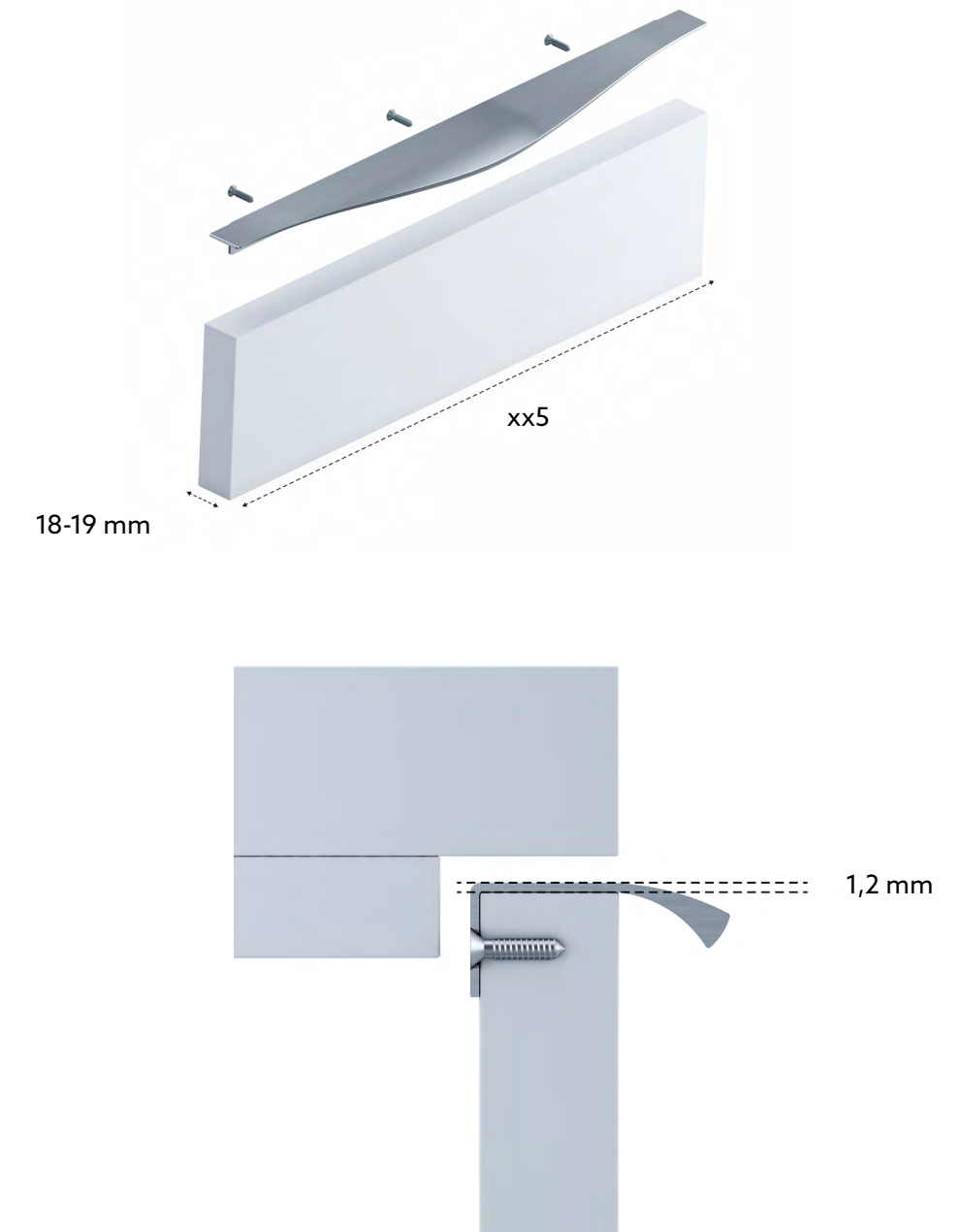
Design furnipart
Material Aluminium

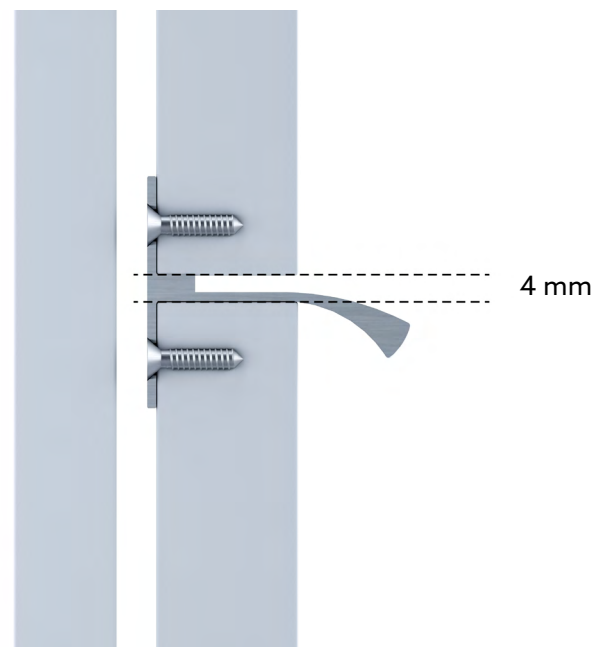
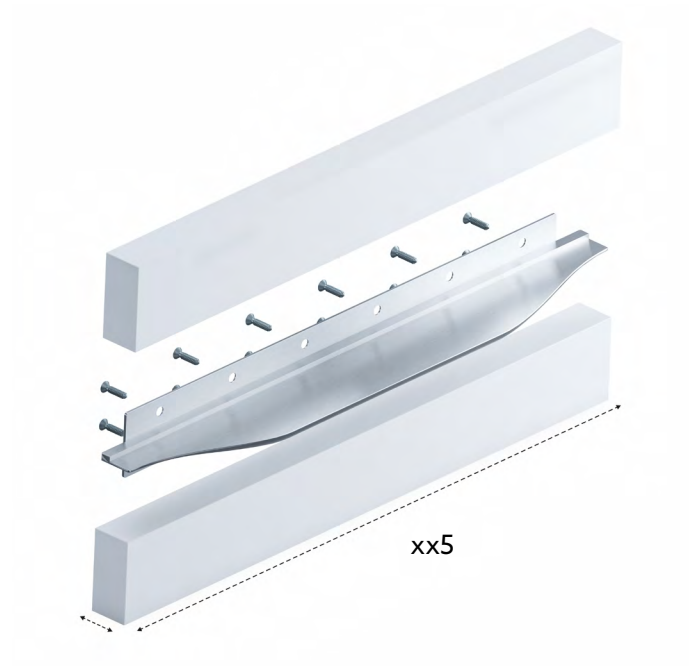
Finish	Reference	C/C	L	W	H	Ø
● Inox Look	4300201962-66	2x74	196	40	16	-
● Inox Look	4300202962-66	2x124	296	40	16	-
● Inox Look	4300203462-66	3x116	346	40	16	-
● Inox Look	4300203962-66	4x99	396	40	16	-
● Inox Look	4300204462-66	4x112	446	40	16	-
● Inox Look	4300204962-66	5x109	496	40	16	-
● Inox Look	4300205962-66	8x93	596	40	16	-
● Inox Look	4300207962-66	9x94	796	40	16	-
● Inox Look	4300208962-66	10x94	896	40	16	-
● Inox Look	4300209962-66	12x95	996	40	16	-
● Inox Look	43002011962-66	12x95	1196	40	16	-

TORRANCE

Design Adam Laws
Material Aluminium

Finish	Reference	C/C	L	W	H	Ø
● Inox Look	4271201955-66	80	196	42	18	-
● Inox Look	4271202955-66	2x90	296	42	18	-
● Inox Look	4271203955-66	2x140	396	42	18	-
● Inox Look	4271204955-66	2x190	496	42	18	-
● Inox Look	4271205955-66	2x240	596	42	18	-
● Inox Look	4271207955-66	3x226	796	42	18	-
● Inox Look	4271208955-66	3x260	896	42	18	-
● Inox Look	4271209955-66	4x220	996	42	18	-
● Inox Look	42712011955-66	4x270	1196	42	-	





TORRANCE (DOUBLE)

Design Adam Laws
Material Aluminium

Finish	Reference	C/C	L	W	H	Ø
● Inox Look	4272203955-66	2x140	396	42	18	-
● Inox Look	4272204955-66	2x190	496	42	18	-
● Inox Look	4272205955-66	2x240	596	42	18	-

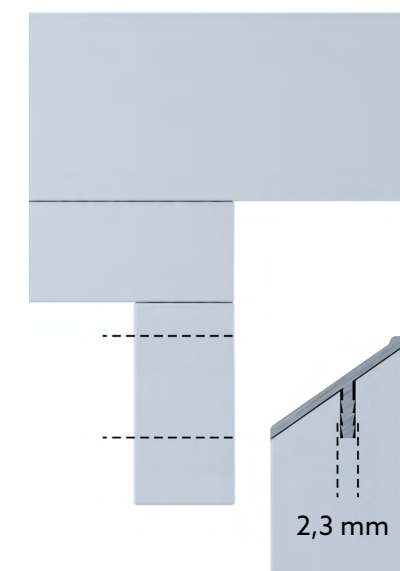
profile top mounted edge to edge

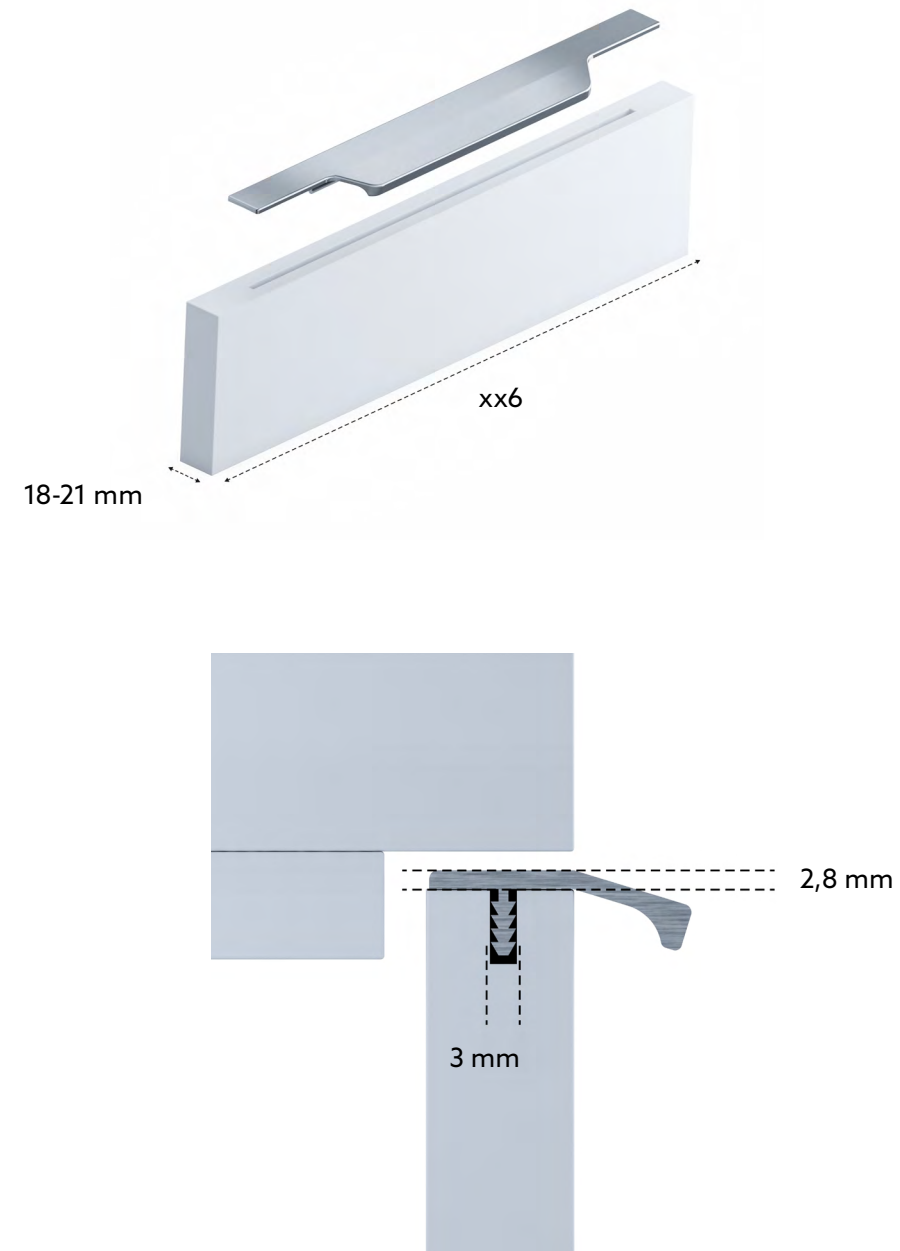
Top mounted handles extend from edge to edge. The fine aluminum edge is visible even when the drawer or unit is closed, adding an extra detail to the design of the kitchen or furniture.

CLIFF

Design furnipart
Material Aluminium

Finish	Reference	C/C	L	W	H	Ø
● Inox Look	425720146-66	-	146	21	15	-
● Inox Look	425720196-66	-	196	21	15	-
● Inox Look	425720296-66	-	296	21	15	-
● Inox Look	425720346-66	-	346	21	15	-
● Inox Look	425720396-66	-	396	21	15	-
● Inox Look	425720446-66	-	446	21	15	-
● Inox Look	425720496-66	-	496	21	15	-
● Inox Look	425720596-66	-	596	21	15	-
● Inox Look	425720696-66	-	696	21	15	-
● Inox Look	425720796-66	-	796	21	15	-
● Inox Look	425720896-66	-	896	21	15	-
● Inox Look	425720996-66	-	996	21	15	-
● Inox Look	4257201096-66	-	1096	21	15	-
● Inox Look	4257201196-66	-	1196	21	15	-
● Inox Look	4257202400-66	-	2400	21	15	-





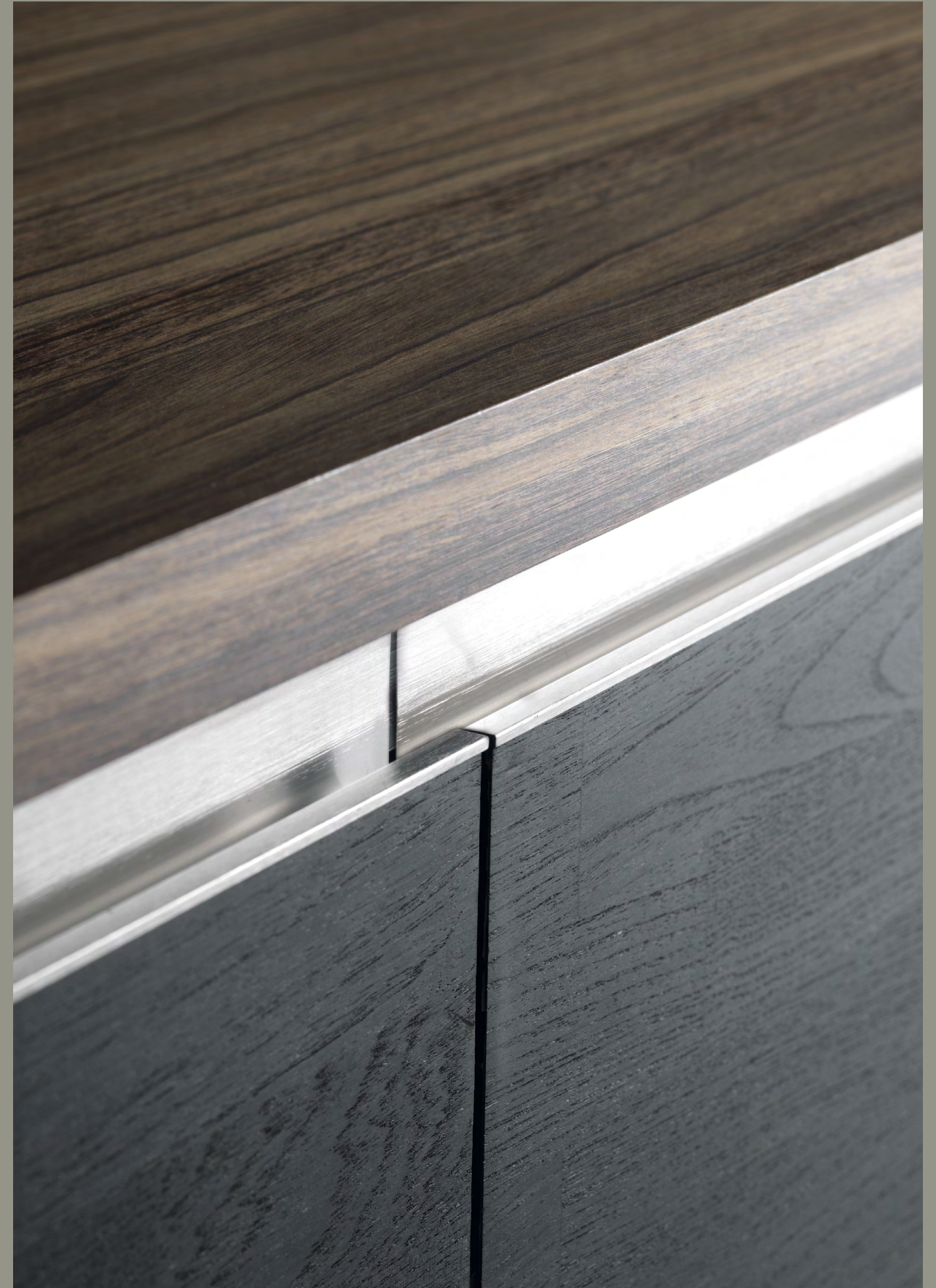
CODA

Design furnipart
Material Aluminium

Finish	Reference	C/C	L	W	H	Ø
● Inox Look	449920196-66	-	196	39	13	-
● Inox Look	449920296-66	-	296	39	13	-
● Inox Look	449920346-66	-	346	39	13	-
● Inox Look	449920396-66	-	396	39	13	-
● Inox Look	449920446-66	-	446	39	13	-
● Inox Look	449920496-66	-	496	39	13	-
● Inox Look	449920596-66	-	596	39	13	-
● Inox Look	449920696-66	-	696	39	13	-
● Inox Look	449920796-66	-	796	39	13	-
● Inox Look	449920896-66	-	896	39	13	-
● Inox Look	449920996-66	-	996	39	13	-
● Inox Look	4499201196-66	-	1196	39	13	-



Coda - page 233

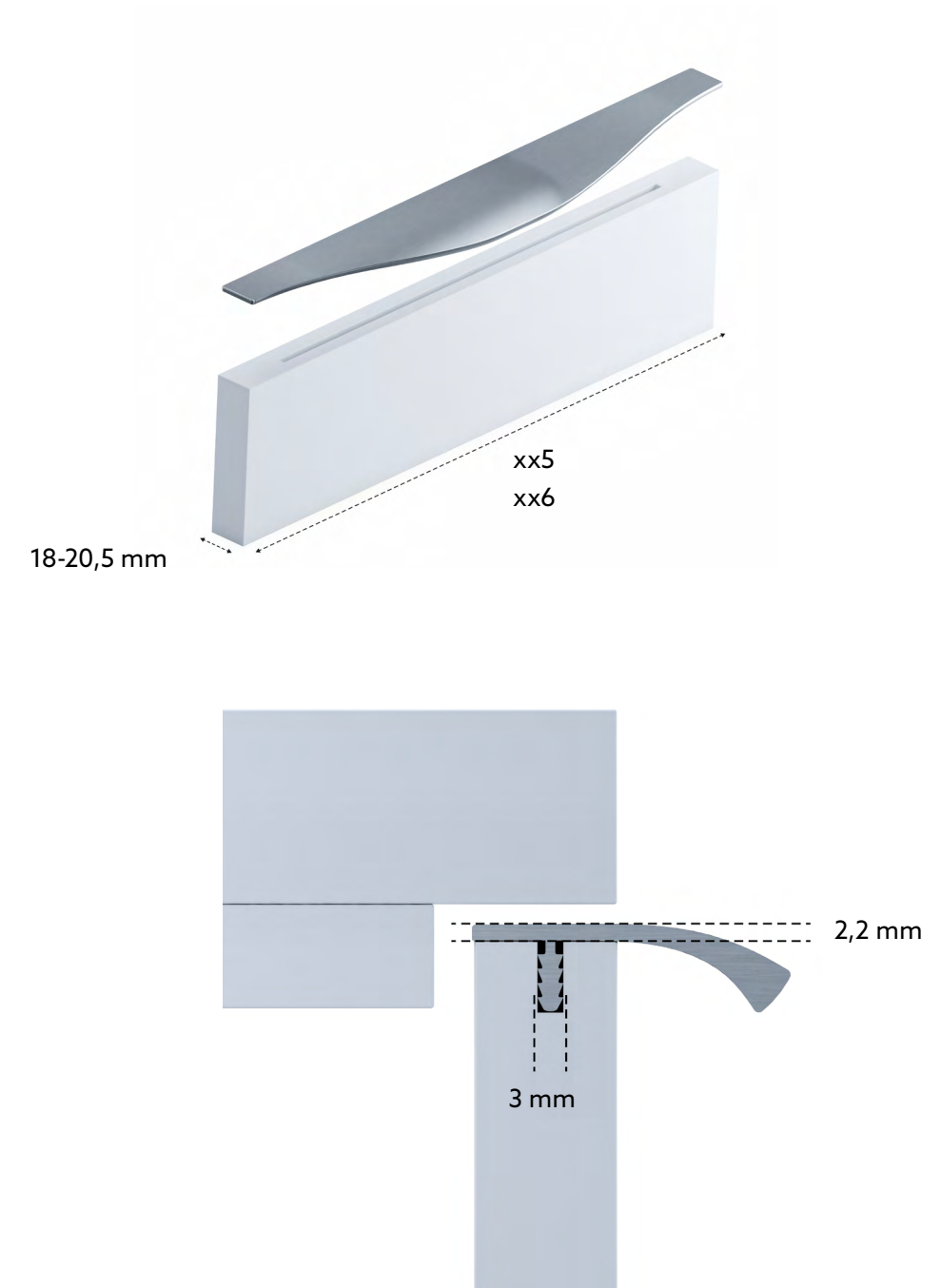


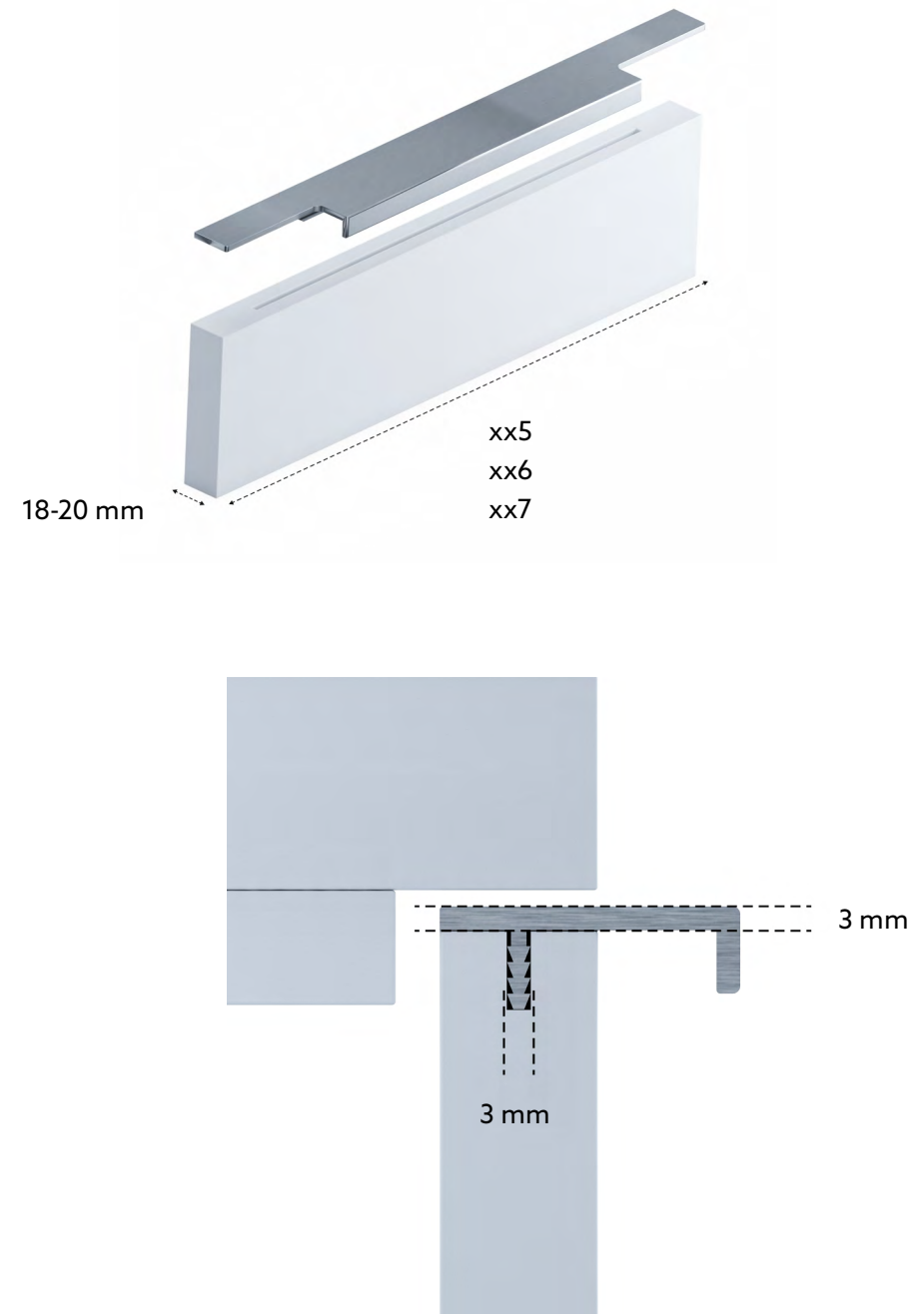
Wall 10 - page 243

MALIBU CURVE 2

Design Adam Laws
Material Aluminium

Finish	Reference	C/C	L	W	H	Ø
● Inox Look	416420295-66	-	295	45	12	-
● Inox Look	416420296-66	-	296	45	12	-
● Inox Look	416420345-66	-	345	45	12	-
● Inox Look	416420346-66	-	346	45	12	-
● Inox Look	416420395-66	-	395	45	12	-
● Inox Look	416420396-66	-	396	45	12	-
● Inox Look	416420445-66	-	445	45	12	-
● Inox Look	416420446-66	-	446	45	12	-
● Inox Look	416420495-66	-	495	45	12	-
● Inox Look	416420496-66	-	496	45	12	-
● Inox Look	416420595-66	-	595	45	12	-
● Inox Look	416420596-66	-	596	45	12	-
● Inox Look	416420795-66	-	795	45	12	-
● Inox Look	416420796-66	-	796	45	12	-
● Inox Look	416420895-66	-	895	45	12	-
● Inox Look	416420896-66	-	896	45	12	-
● Inox Look	416420995-66	-	995	45	12	-
● Inox Look	416420996-66	-	996	45	12	-
● Inox Look	4164201195-66	-	1195	45	12	-
● Inox Look	4164201196-66	-	1196	45	12	-





TRIM

Design furnipart
Material Aluminium

Finish	Reference	C/C	L	W	H	Ø
● Brushed Brass	408020295-31	-	295	38	13	-
● Brushed Brass	408020345-31	-	345	38	13	-
● Brushed Brass	408020395-31	-	395	38	13	-
● Brushed Brass	408020495-31	-	445	38	13	-
● Brushed Brass	408020595-31	-	595	38	13	-
● Brushed Brass	408020645-31	-	1095	38	13	-
● Brushed Brass	408020695-31	-	1195	28	13	-
● Brushed Brass	408020745-31	-	745	38	13	-
● Brushed Brass	408020795-31	-	795	38	13	-
● Brushed Brass	408020895-31	-	895	38	13	-
● Brushed Brass	408020995-31	-	995	38	13	-
● Brushed Brass	4080201095-31	-	1095	28	13	-
● Brushed Brass	4080201195-31	-	1195	28	13	-

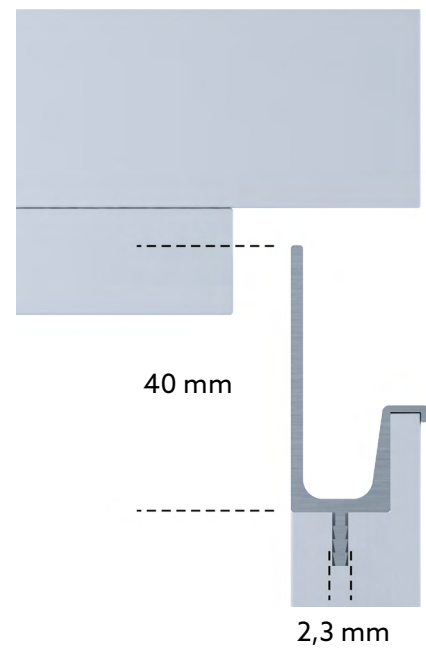
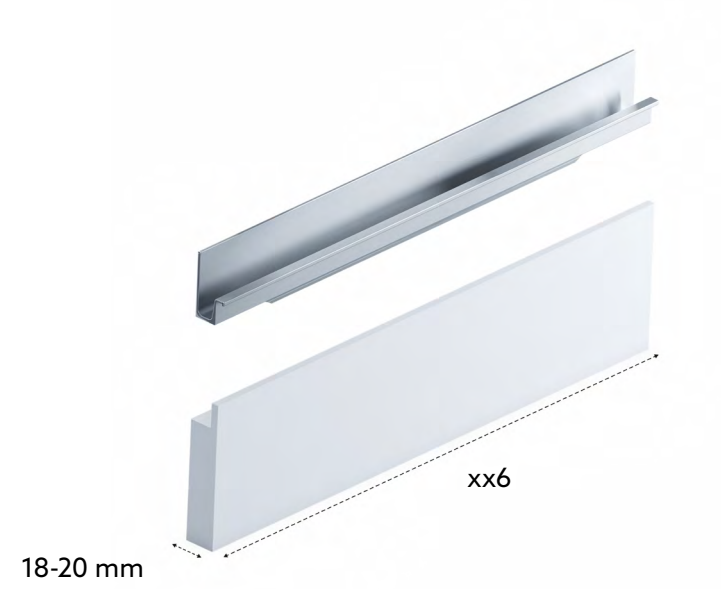
TRIM

Design furnipart
Material Aluminium

Finish	Reference	C/C	L	W	H	Ø
● Inox Look	408020295-66	-	295	38	13	-
● Inox Look	408020296-66	-	296	38	13	-
● Inox Look	408020345-66	-	345	38	13	-
● Inox Look	408020346-66	-	346	38	13	-
● Inox Look	408020395-66	-	395	38	13	-
● Inox Look	408020396-66	-	396	38	13	-
● Inox Look	408020445-66	-	445	38	13	-
● Inox Look	408020446-66	-	446	38	13	-
● Inox Look	408020495-66	-	495	38	13	-
● Inox Look	408020496-66	-	496	38	13	-
● Inox Look	408020595-66	-	595	38	13	-
● Inox Look	408020596-66	-	596	38	13	-
● Inox Look	408020795-66	-	795	38	13	-
● Inox Look	408020796-66	-	796	38	13	-
● Inox Look	408020895-66	-	895	38	13	-
● Inox Look	408020896-66	-	896	38	13	-
● Inox Look	408020995-66	-	995	38	13	-
● Inox Look	408020996-66	-	996	38	13	-
● Inox Look	4080201195-66	-	1195	38	13	-
● Inox Look	4080201196-66	-	1196	38	13	-
● Brushed Matt Black	408020295-76	-	295	38	13	-
● Brushed Matt Black	408020296-76	-	296	38	13	-
● Brushed Matt Black	408020345-76	-	345	38	13	-
● Brushed Matt Black	408020346-76	-	346	38	13	-
● Brushed Matt Black	408020395-76	-	395	38	13	-
● Brushed Matt Black	408020396-76	-	396	38	13	-
● Brushed Matt Black	408020445-76	-	445	38	13	-
● Brushed Matt Black	408020446-76	-	446	38	13	-
● Brushed Matt Black	408020495-76	-	495	38	13	-
● Brushed Matt Black	408020496-76	-	496	38	13	-
● Brushed Matt Black	408020595-76	-	595	38	13	-
● Brushed Matt Black	408020596-76	-	596	38	13	-
● Brushed Matt Black	408020795-76	-	795	38	13	-
● Brushed Matt Black	408020796-76	-	796	38	13	-
● Brushed Matt Black	408020895-76	-	895	38	13	-
● Brushed Matt Black	408020896-76	-	896	38	13	-
● Brushed Matt Black	408020995-76	-	995	38	13	-
● Brushed Matt Black	408020996-76	-	996	38	13	-
● Brushed Matt Black	4080201195-76	-	1195	38	13	-
● Brushed Matt Black	4080201196-76	-	1196	38	13	-



Trim - page 240



WALL 10

Design furnipart
Material Aluminium

Finish	Reference	C/C	L	W	H	Ø
● Inox Look	427320146-66	-	146	15/21	35	-
● Inox Look	427320296-66	-	296	15/21	35	-
● Inox Look	427320346-66	-	346	15/21	35	-
● Inox Look	427320396-66	-	396	15/21	35	-
● Inox Look	427320446-66	-	446	15/21	35	-
● Inox Look	427320496-66	-	496	15/21	35	-
● Inox Look	427320546-66	-	546	15/21	35	-
● Inox Look	427320596-66	-	596	15/21	35	-
● Inox Look	427320696-66	-	696	15/21	35	-
● Inox Look	427320796-66	-	796	15/21	35	-
● Inox Look	427320896-66	-	896	15/21	35	-
● Inox Look	427320996-66	-	996	15/21	35	-
● Inox Look	4273201096-66	-	1096	15/21	35	-
● Inox Look	4273201196-66	-	1196	15/21	35	-

our long handles

Our collection of long handles accommodates the need of handles for tall cabinets and closet doors. Emphasising the vertical lines of tall fronts, our long handles are a graphic design statement with clear functionality. These handles are not meant to be hidden, though they can be discrete.



Mango - page 55



Elan - page 30



Elan Wood - page 30



Big - page 16



Regular 2 - page 71



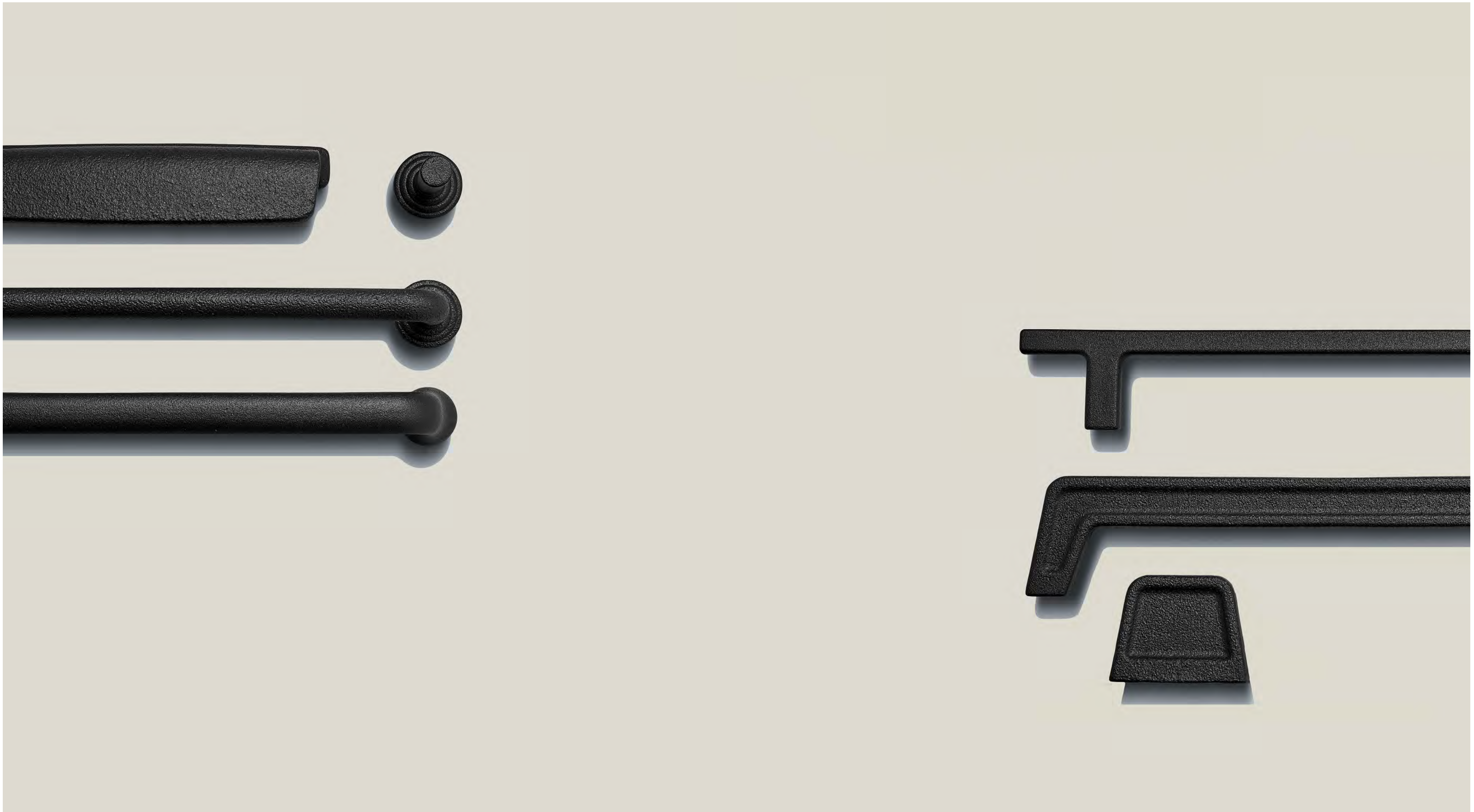
Elan - page 30



Elan - page 30

our cast iron handles

Our cast iron handles exemplify a substantial warmth and authenticity and can be suited to a great variety of interiors from the classic to modern design.



Art (page 15), **Motion** (page 189), **Motion** (page 59), **Provence** (page 67)
Pen (page 64), **Pagoda handle** (page 64), **Pagoda knob** (page 190)



Motion - page 59



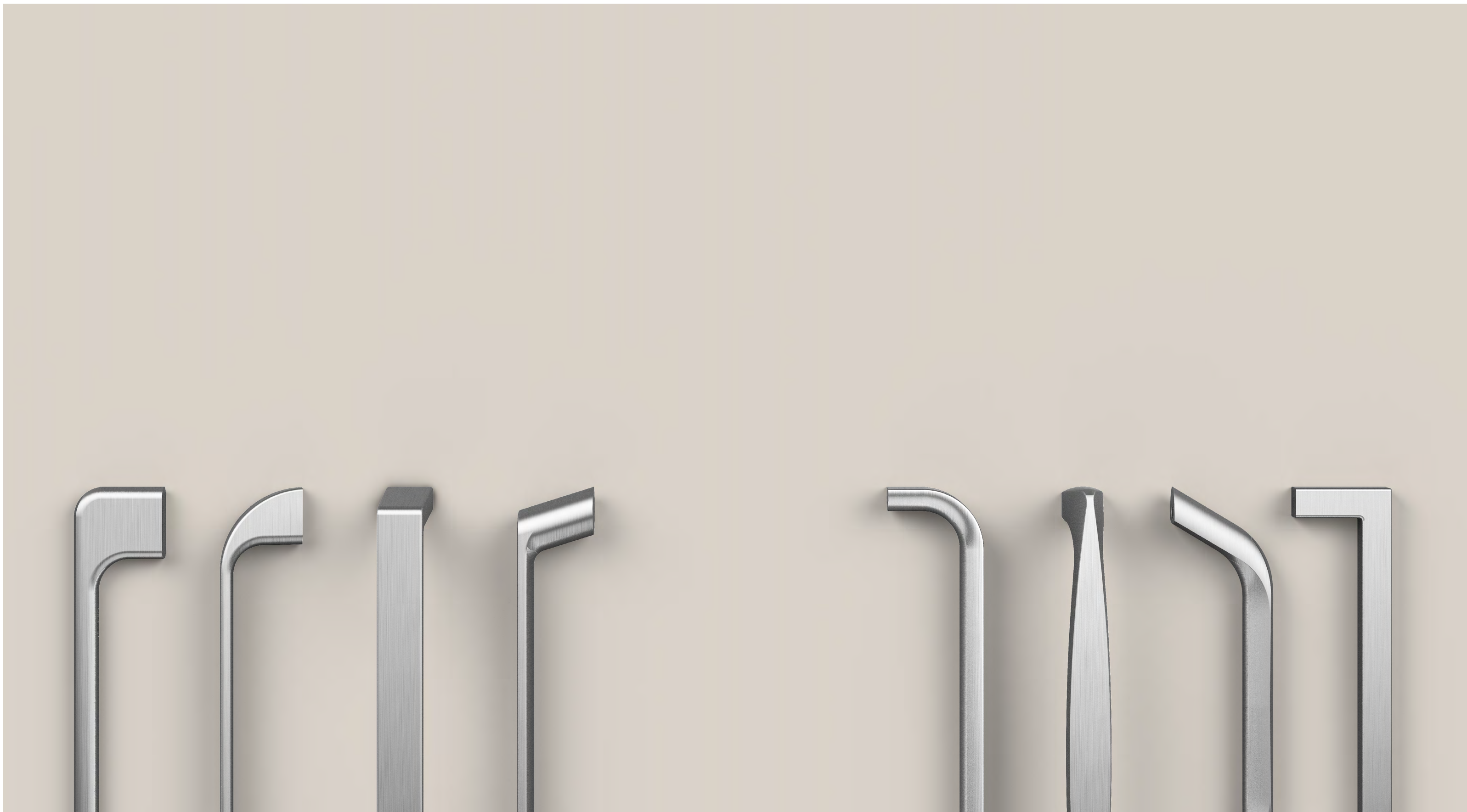
Pen - page 64



Pagoda - page 190

cost effective handle design

In certain scenarios, sometimes cost is just as important as great design. So, we have a vast selection of cast aluminium handles within our range. Being cast aluminium makes these handles more cost effective, without compromising on the aesthetics or furnipart quality.



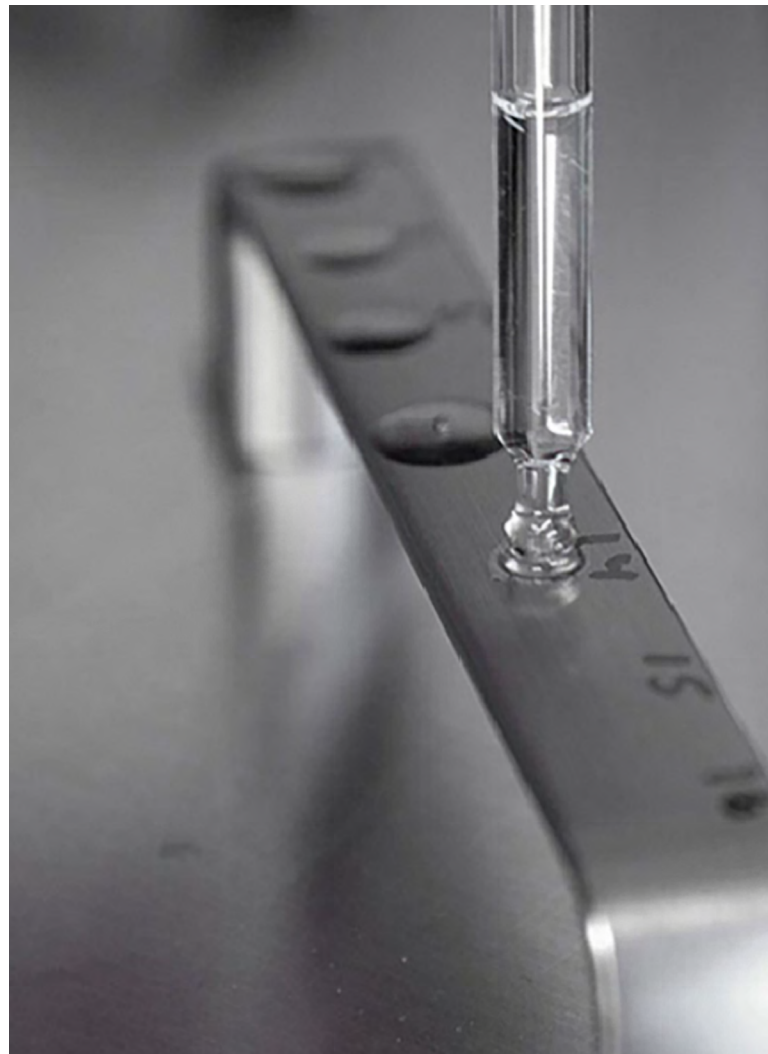
Doppia (page 30), **Tangerine** (page 85), **Seam** (page 72), **Light** (page 51)
Inside (page 48), **Span** (page 78), **Space** (page 78), **Square 10** (page 78)

QUALITY

A furnipart handle is characterised by its outstanding quality; quality that not only can be seen but felt. Nothing is left to chance when it comes to our handles.

Back in 2009, we decided to formulate our own furnipart quality standard based on the standards from the German kitchen industry. As a result, tests of geometry, mechanical strength and surface are now part of both our development and serial production. Our wear-and-tear-test is performed by the German test Institute LGA.

Tests are carried out at our own laboratory in Denmark as well as during production to ensure you receive our highest standard every time.



furnipart



HOW WE DO IT

We work closely with renowned designers to get every handle, knob and profile just right.

We carry out surface tests with the most common chemicals that are used in kitchens. Citric acid, alcohol and acetone are just some of the chemicals that are applied to the handles to test their resistance.

We carry out cross-cut tests – both with and without water – to test the handle's corrosion resistance.

If a design doesn't meet our quality requirements, a new pilot production must be started. We do all of this to ensure that all our products are to the high standards we have set for ourselves.

Our quality control team do random tests to inspect the surface on our handles to ensure that both colour and gloss is exactly right. By checking colour and gloss, our customers are ensured that our products are the same every time.

When the results of the tests are satisfactory, they are documented using a reference test handle, which future products are measured against. This means that we carry out incoming goods inspection on every shipment of handles that arrive from our production facility to ensure that the handles that we receive meet the set standards for the given design.

did you know?

- We send out over 100,000 handles to our kitchen and bathroom partners on a daily basis.
- Our warehouse facility is automated with nine AutoStore robots.
- A complete collection of all our images and technical drawings are accessible in our Media Library at www.furnipart.com
- Presentation is key. Experience our virtual showroom online and explore our collection whenever it suits you at www.furnipart.com.
- All our Chrome and Anodised aluminium profiles and zamac products in Inox Look & Matt Black are Cradle to Cradle Certified® at bronze level.
- All products undergo a thorough quality inspection and testing – both at our production sites and in our laboratory in Denmark.

/ collection index

ANGLE (15)	DOME (174)	LOOP (51)	ROUND (219)
ART (15)	DOPPIA (30)	LOUNGE (52)	SCOPE (72, 199)
ACCENT (128)	DOT (174)	LUCK (52, 186)	SEAM (72)
ARTISAN (128)	DRUM (174)	LUX (216)	SHEET (139)
AUTUMN (163)	EDGE BOW (131)	MALIBU CURVE 2 (236)	SHIP (77)
BACK (212)	EDGE ROUND (131)	MANGO (55)	SHUFFLE (77)
BALANCE (163)	EDGE STRAIGHT (132, 135)	MANOR (55)	SIMON (199)
BANISTER (163)	EDGE STRAIGHT UPWARDS (136)	MANOR BACK (56)	SLIM (77)
BASE (15)	ELAN (30, 177)	MANOR ROUND (186)	SLOPE (77, 200)
BEAD STRAIGHT (163)	ELE (33)	MANOR T (189)	SPACE (78)
BELL (164)	ENVELOPE (33, 177)	MANTA (56)	SPAN (78)
BENCH (128)	EPOCH LIGHT (33)	MELON (56)	SQUARE (219)
BERET (164)	EQUESTER (33)	MERCURY (56, 189)	SQUARE 10 (78, 81)
BIG (16)	EQUESTER CUP (34)	METRO (59)	SQUARE 12 (82)
BIS (16, 164)	FALL (34, 177)	MONTE (59)	STATION (82, 200)
BLAZE 2 (131)	FLAT (41)	MONTE ROUND (189)	STRAP (200)
BOUNCE (19, 164)	FLEUR (178)	MOTION (59, 189)	STREAMLINE (82)
BRIDGE (19)	FLUSH (212)	OAKLY (59)	TANGERINE (85)
BULL (19)	FOLD (41)	ORBIT (190)	TAU (85, 200)
BYTE (167)	FOLD LIGHT (41)	OVAL (190)	TOCCO (85)
CANE (167)	FRINGE (42)	OVAL SIMPLE (190)	TORCH (85)
CAR (19)	GATE (42, 178)	PAGODA (64, 190)	TORRANCE (224)
CARVE (22)	GLOVE (42, 178)	PATINA (136)	TORRANCE (DOUBLE) (227)
CASTLE (167)	GUILD (42)	PEN (64)	TRACK (88, 205)
CHATEAU (22, 167, 168)	HABIT (178)	PHARMA (64)	TRANSIT (88, 205)
CIRCLE (168)	HAMMER (45)	PILLAR (64, 196)	TRIM (239, 240)
CLASSIC (22, 168)	HARLEQUIN (178)	PLANK (67)	TUB ROUND (219)
CLIFF (230)	HERITAGE (45, 181)	PLATO (196)	TUB STRAIGHT (219)
CODA (233)	HEXA (45, 181)	PLINTH (136)	TUBULAR (91)
COMMON (22)	HORIZON LARGE (45, 48)	POCKET (216)	TUMBLER (205)
COMPACT (25)	HORIZON SMALL (181)	POINT (196)	U-TURN (91)
CONCAVE (25)	INK (185)	PORT (67)	UNIFY (91, 206)
COOL (25)	INN (215)	PRIMO SLIM (68)	VANILLA (91, 206)
CROSSING (25, 173)	INSIDE (48, 185)	PROVENCE (67)	VILLA (92)
CUBICO (26)	JAZZ (223)	PULLEY (199)	VILLA ROUND (206)
CURTAIN (173)	JOIN (48, 185)	PUNCH (199)	VILLA T (206)
CUT (26)	JUNCTION (48)	PUNCTUATE (68)	VISTA (92)
D HANDLE (29)	KNOT (185)	PYRAMID (68)	VOTE (209)
D-LITE (29, 174)	LEAF (51, 186)	RADIUS (71)	WALL 10 (243)
DELTA (26, 173)	LETTERBOX (216)	RATTAN (71)	WOW (139)
DINER (29)	LIGHT (51)	REGULAR 2 (71)	ZEPPELIN (209)
DISC (173)	LOCKER (51)	RIO (72)	

Credit

Quoker

Vola



furnipart

delta 2
8382 hinnerup
denmark
+45 8764 3500
furnipart.com
fp@furnipart.com